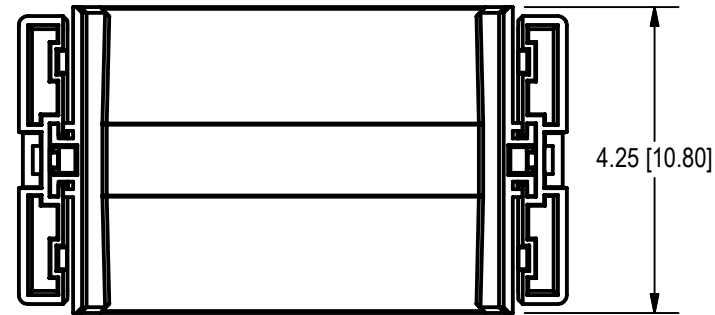


REV	ECO	DESCRIPTION	DATE	BY
5	---	REV TO MATCH BOM	3/3/2005	TTT

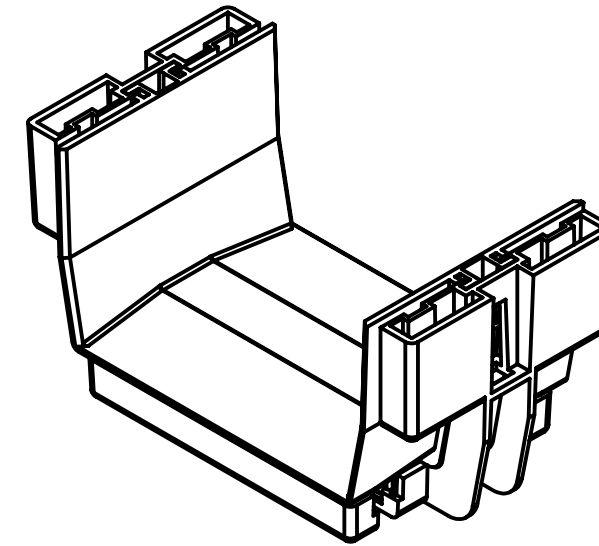
NOTES: (UNLESS OTHERWISE SPECIFIED.)

1. DIMENSIONS ARE IN INCHES [CENTIMETERS].
2. DIMENSIONS ARE FOR REFERENCE ONLY.

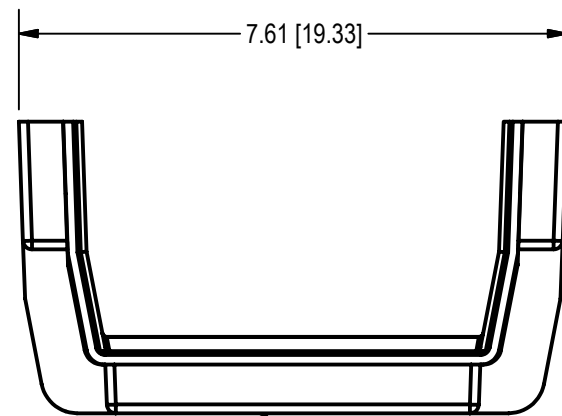
3 CUSTOMER PART NUMBER MOLDED INTO THIS SURFACE.



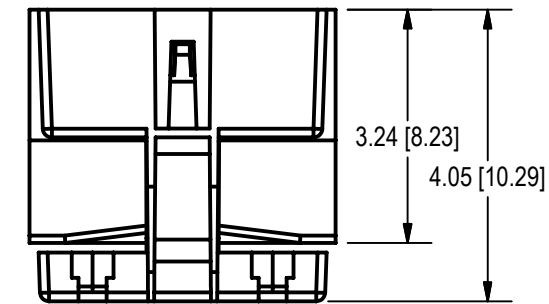
TOP VIEW



ISOMETRIC VIEW



3 FRONT VIEW



SIDE VIEW



DESIGNED BY T. TURPIN	DATE 6/7/2000		N 2111 Molter Road PO Box 665 Liberty Lake, Washington 99019 (509) 926-6000		
DRAWN BY T. TURPIN	DATE 6/7/2000		TITLE CUSTOMER DRAWING		
NOT FOR REPRODUCTION COPYRIGHT: 2000 This document contains proprietary information that is property of TELECT, INC., Spokane, Washington. It is intended for the exclusive use of our customer for information, installation, and/or service. The recipient agrees not to reproduce or copy this document or its contents in whole or in part without prior written permission from TELECT, INC. This document must be returned promptly if no longer needed or upon written request from TELECT, INC.		DRAWING NO 027-2000-6499		SHEET SIZE B	ISSUE A
	PROJECT 4045	SCALE 0.375 : 1.0	SHEET 1 OF 1	REV 5	