

# VHF Offset Dipole

ODP-VHF-8BP



## VHF Offset Dipole

- Ideal for fixed radio terminals
- Easy installation
- Suitable for internal & external use

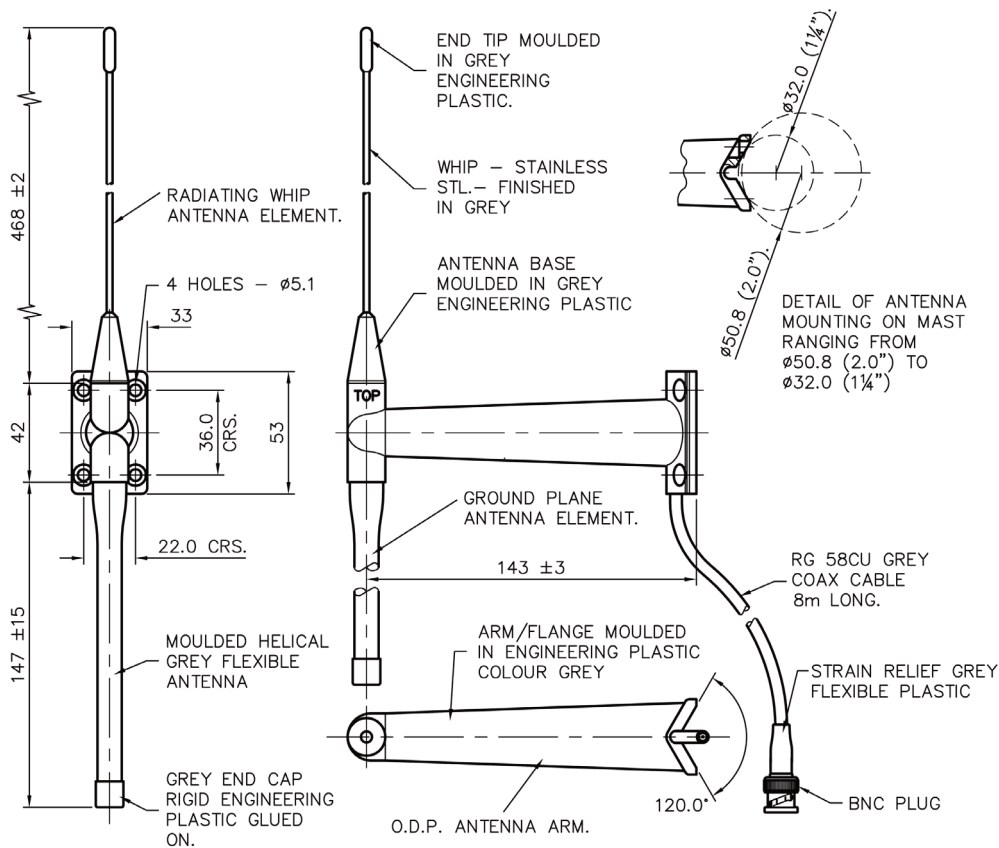
The ODP is a lightweight remote antenna solution for fixed radio terminals - ideal for network infill or range extension.

With 4 holes for mounting, the ODP is waterproof and can be fitted internally or externally using the wall or mast mount fitment.

Questions? Visit [www.Talleycom.com](http://www.Talleycom.com) or contact Talley at 800.949.7079 or [Sales@Talleycom.com](mailto:Sales@Talleycom.com) today.

Technical Drawing

ODP-JRC-8BP Shown



# VHF Offset Dipole

## ODP-VHF-8BP



You Connect the World. We Make it Easy.®

Product Data

Part No.	ODP-H4-8BP	ODP-H5-8BP	ODP-H6-8BP	ODP-H7-8BP	ODP-JRC-8BP	
<b>Electrical Data</b>						
Frequency Range (MHz)	139-157	149-159	156-162	162-174	139-157	
Operational Band	H4	H5	H6	H7	JRC	
Gain: Isotropic			1 dBi			
Compared to ¼ wave			-1 dB			
Typical VSWR			≤ 2.5:1			
Polarisation			Vertical			
Pattern			Omni directional			
Impedance			50Ω			
Max Input Power (W)			25			
<b>Mechanical Data</b>						
Dimensions (mm)	Whip length	473 (18.6")	449 (17.6")	435 (17.1")	412 (16.2")	468 (18.4")
	Helical length	149 (5.86")	140 (5.5")	138 (5.4")	134 (5.2")	147 (5.7")
Off-Set from wall (mm)			143 (5.6")			
Operating Temp (°C)			-40° / +80°C ( -40° / 176°F )			
Colour			Grey			
Mast diameter range (mm)			50.8 / 32.0 (2"/1.25")			
<b>Cable Data</b>						
Type			RG 58CU			
Length (m)			8 (26')			
Colour			Grey			
Diameter (mm)			5 (0.2")			
Attenuation			0.15db/m @ 150 MHz			
Termination			BNC Plug			

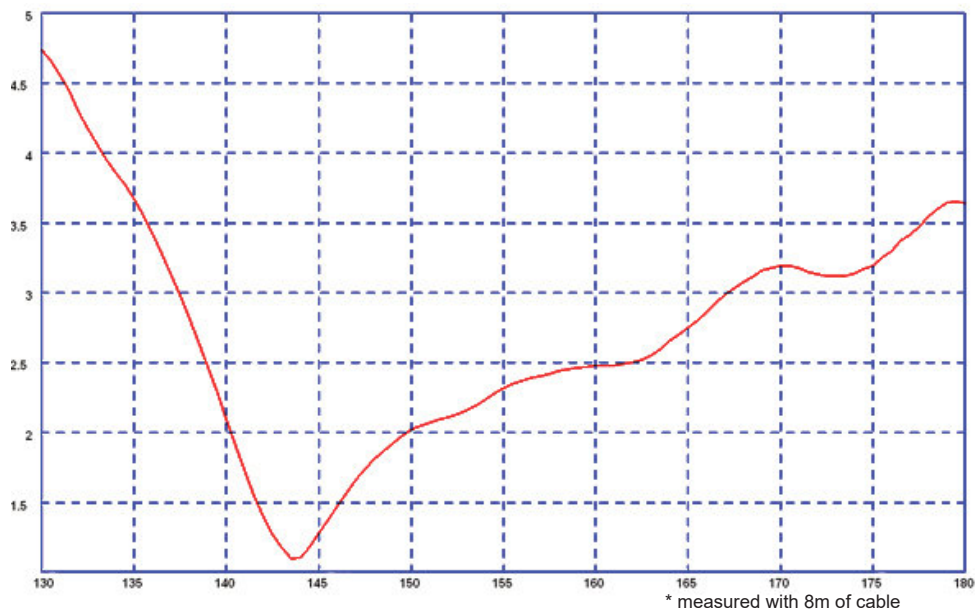
Questions? Visit [www.Talleycom.com](http://www.Talleycom.com) or contact Talley at 800.949.7079 or [Sales@Talleycom.com](mailto:Sales@Talleycom.com) today.

# VHF Offset Dipole

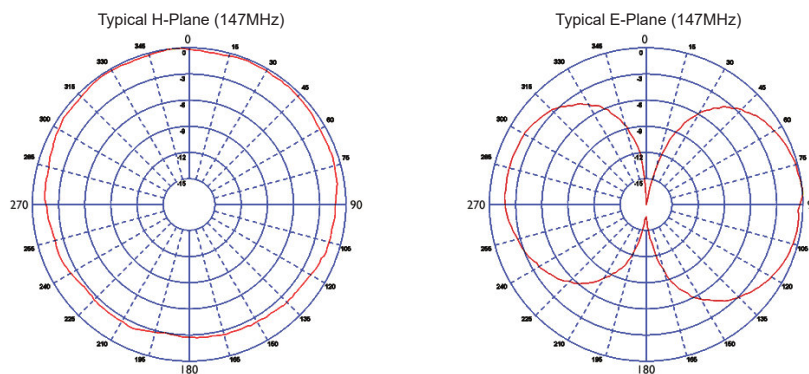
ODP-VHF-8BP

Electrical Data - Cell

Typical VSWR\*



Radiation Patterns



Questions? Visit [www.Talleycom.com](http://www.Talleycom.com) or contact Talley at 800.949.7079 or [Sales@Talleycom.com](mailto:Sales@Talleycom.com) today.