

1.0 GENERAL NOTES

- 1.1 ALL METRIC DIMENSIONS ARE IN BRACKETS [X. X]
- 1.2 FOR PATENT INFO: <https://www.cs-pat.com>

2.0 DESIGN NOTES

- 2.1 ANY HAZARDS OR OBSTRUCTIONS TO THE CLIMBING FACILITY AND SAFETY CLIMB MUST BE IDENTIFIED PRIOR TO INSTALLING THE APPURTENANCE. ADDITIONAL PRODUCTS MAY BE REQUIRED TO MAINTAIN THE INTEGRITY OF THE SAFETY CLIMB. DURING INSTALLATION, TEMPORARY AND/OR PERMANENT PRECAUTIONARY MEASURES SHOULD BE TAKEN TO PRESERVE THE CLIMBING FACILITY AND/OR SAFETY CLIMB.

3.0 MANUFACTURING/SPECIAL REQUIREMENTS

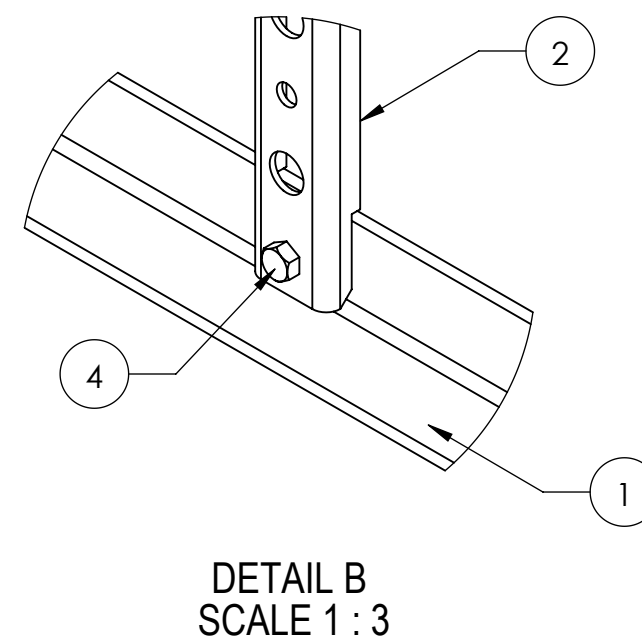
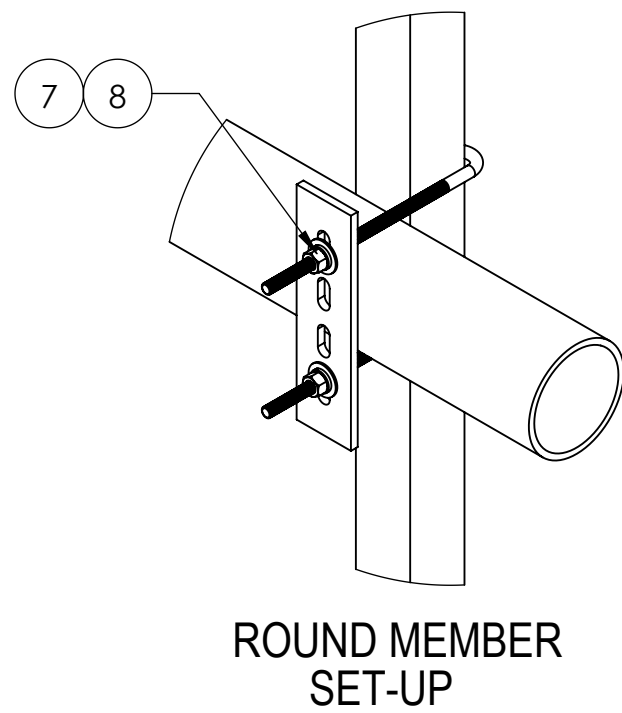
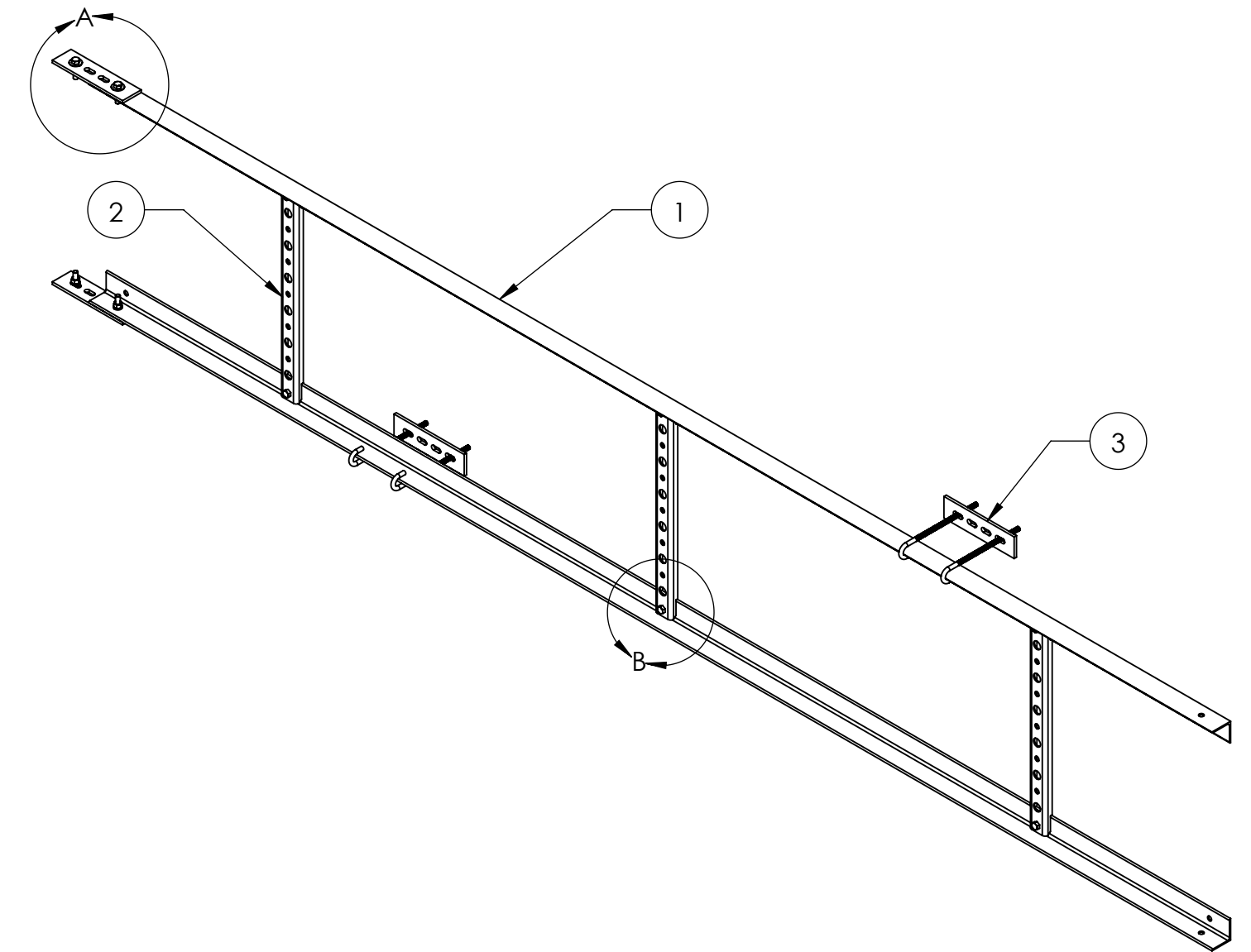
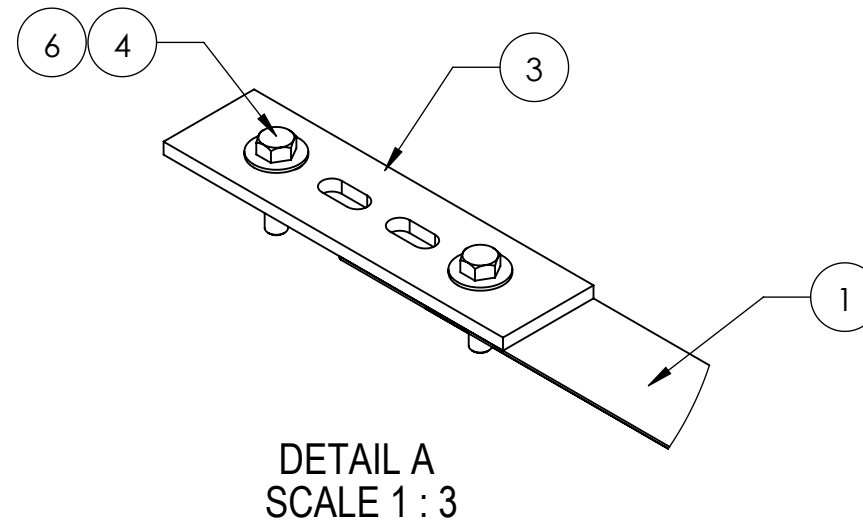
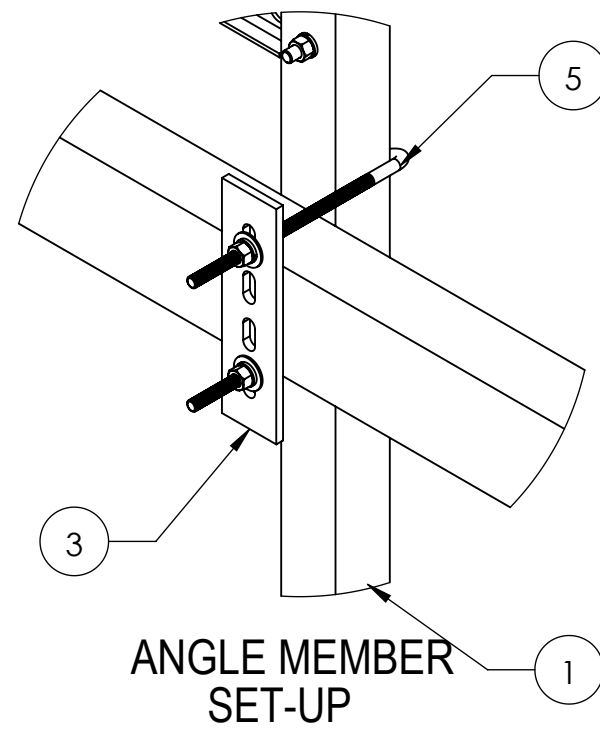
- 3.1 TIGHTEN ALL BOLTS SECURING FLAT PLATES BY THE TURN-OF-NUT METHOD. TIGHTEN ALL U-BOLTS USING TURN-OF-NUT METHOD WITH ATTENTION TO LEAVE EQUAL DISTANCE AND EQUAL FORCE ON EACH LEG OF THE U-BOLT.

4.0 TEST

5.0 PACKAGING

- 5.1 PACKAGING SHALL MEET COMMSCOPE REQUIREMENTS PER DOCUMENT IS-PL-3005
- 5.1 PRINTED DOCUMENT TO BE PLACED INSIDE POLYBAG AND THEN IN SHIPPING CONTAINER
- 5.1 EXTRA HARDWARE MAYBE SUPPLIED, BAGGED AND SHIPPED

REVISIONS			
REV.	DESCRIPTION	BY	DATE
A	INITIAL RELEASE	ACG 14JAN06	TP
B	REPLACE J-BOLT FROM JB-HK	ACG 11DEC08	TP
C	UPDATE BOM	MSM 16MAY13	TP
D	UPDATED TEMPLATES & ADDED SHEE1	LS1146 15MAY23	BCROSS 40171416CMO



Questions? Visit [www.Talleycom.com](http://www.Talleycom.com) or contact Talley at 800.949.7079 or [Sales@Talleycom.com](mailto:Sales@Talleycom.com) today.

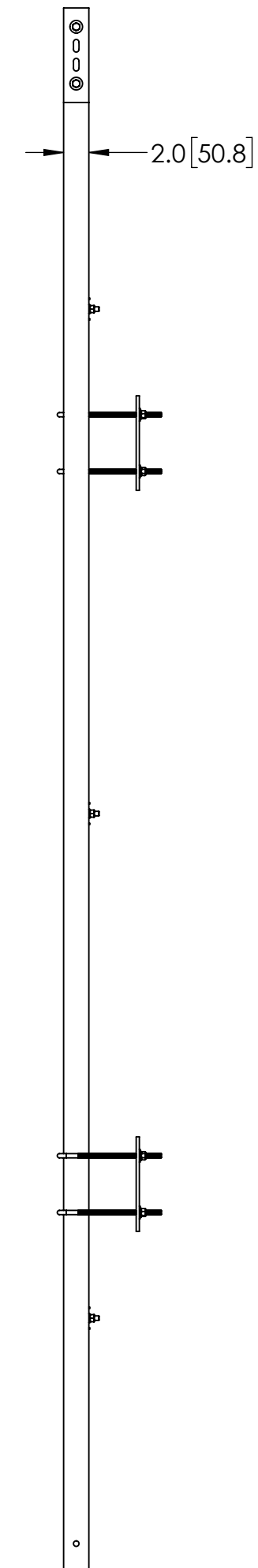
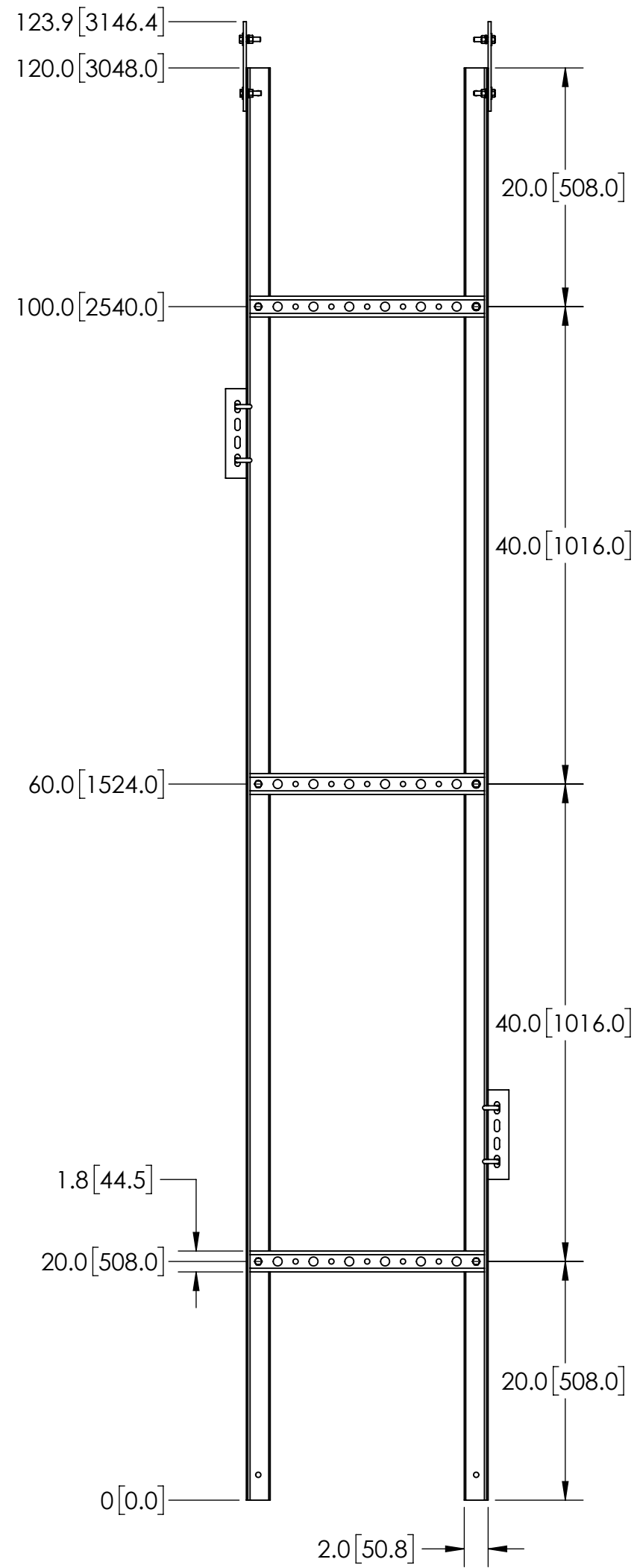
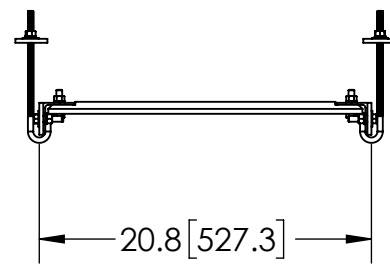
COMPONENT PART NUMBERS PROVIDED FOR ASSEMBLY PURPOSES;  
INDIVIDUAL COMPONENTS MAY BE SHIPPED AS PARTS WITHIN AN INCLUDED KIT.

ITEM	PART NO.	DESCRIPTION	QTY.	WEIGHT	NOTE NO.
1	CL10.01	10' ANGLE SIDE RAIL	2	16.37 LBS	
2	CL06R.01	20" LADDER RUNG	3	1.69 LBS	
3	HKCLU.02	BACKING PLATE	4	0.95 LBS	
4	GB-03145	3/8" X 1-1/2" GALV BOLT KIT	10	0.065 LBS	
5	GJB0380	8" GALV J-BOLT KIT	4	0.23 LBS	
6	GWF-03	3/8" GALV FLAT WASHER	8	0.01 LBS	
7	GWL-03	3/8" GALV LOCK WASHER	4	0.01 LBS	
8	GN-03	3/8" GALV HEX NUT	4	0.02 LBS	

DENSITY	43.63	lbs/in <sup>3</sup>
MASS	43.63	lbs
VOLUME	154.80	in <sup>3</sup>
SURFACE AREA	2465.63	in <sup>2</sup>
HEIGHT	123.9"	
LENGTH	23.7"	
WIDTH	8.3"	

© 2023 CommScope, Inc. Confidential

COMMSCOPE, INC. OF NORTH CAROLINA			
TOLERANCES		SAP MATERIAL MASTER	
0 PLACE .X[X] ± 0.12[3.0]	2 PLACE .XXX[X] ± 0.030[0.8]	CL-0610-U	
1 PLACE .XX[X] ± 0.06[1.5]	ANGLES ± 2°		
FINISH		MATERIAL	
UNLESS OTHERWISE SPECIFIED DIMENSIONS ARE IN INCHES INTERPRET PER ANSI Y 14.5M-1994	NAME	DATE	TITLE
	CE ACG	14JAN06	CABLE LADDER, 10', 6 HOLE, UNIV. HDWR
	RW LS1146	05/16/2023	
	AD YMENG	05/19/2023	
	RE YMENG	05/19/2023	
ECN 40171416CMO			
SCALE	DOCUMENT NO.	CL-0610-U	
1:12			
SIZE	Auth Group	INSL	MODEL
C			
VERSION	STATUS	REVISION	DRAWING
01	RE	D	01 RE D
			SHEET
			1 OF 2



COMMSCOPE, INC. OF NORTH CAROLINA					
TITLE CABLE LADDER, 10', 6 HOLE, UNIV. HDWR					
SIZE <b>C</b>	SCALE <b>1:12</b>	DOCUMENT NO. CL-0610-U			
		DRAWING			SHEET 2 OF 2
		VERSION 01	STATUS RE	REVISION D	