

PV-DC-PTPC

DUALCROSS - PIPE TO PIPE CONNECTION

RELATED DOCUMENTS;

ATT-ENG-03 - FACE SKEW WITH PV-DC-PTPC BRACKETS

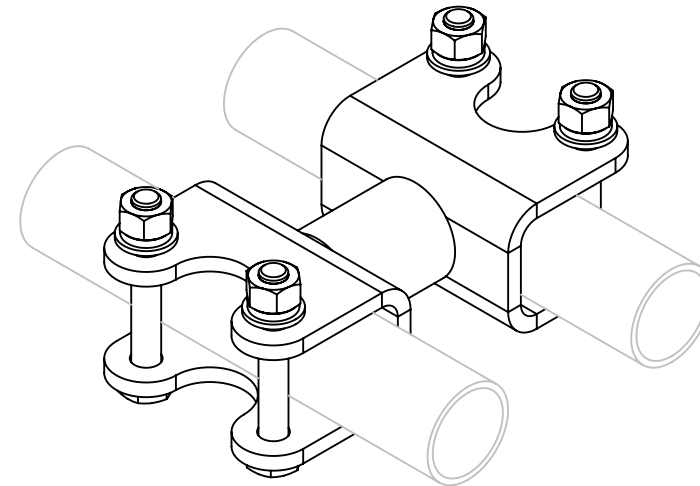
MATERIALS

- PIPE CLAMP
 - R_L 3/8" ASTM A36
- PIPE STANDOFF
 - ASTM A500 GR. C (SEE TABLE FOR SIZE)
- FINISH: ASTM A123/A123M
- HARDWARE
 - ASTM A325 HDG BOLT - ϕ 5/8"
 - ASTM A563DH NUT
 - ASTM F436 HARDNED FLAT WASHER
 - HEAVY SPRING LOCK WASHER
 - GALVANIZED - ASTM A153/A153M

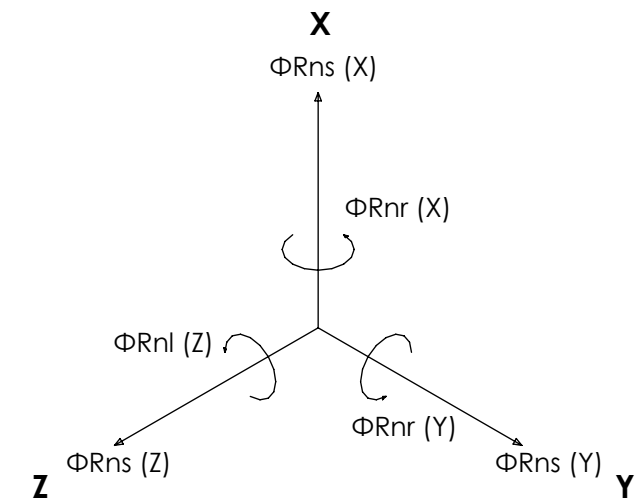
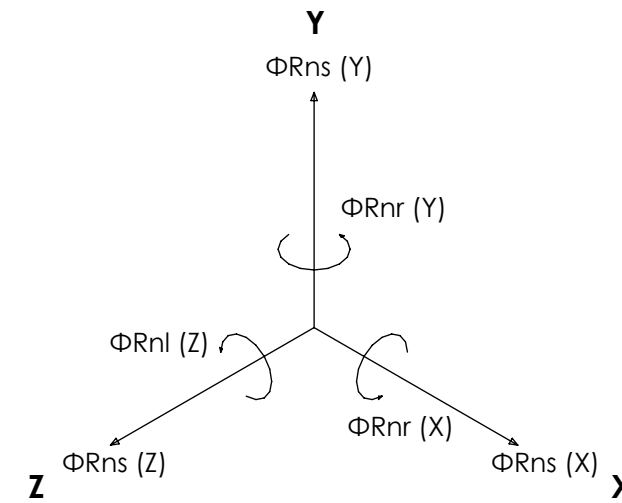
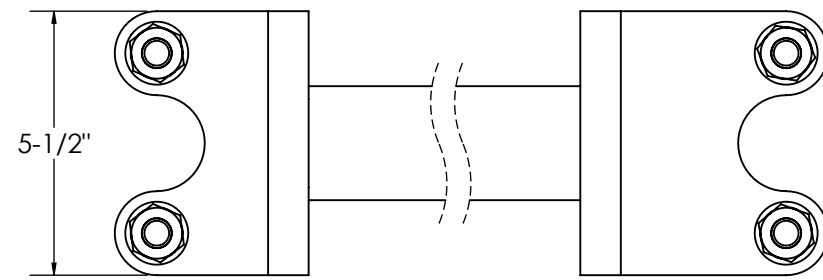
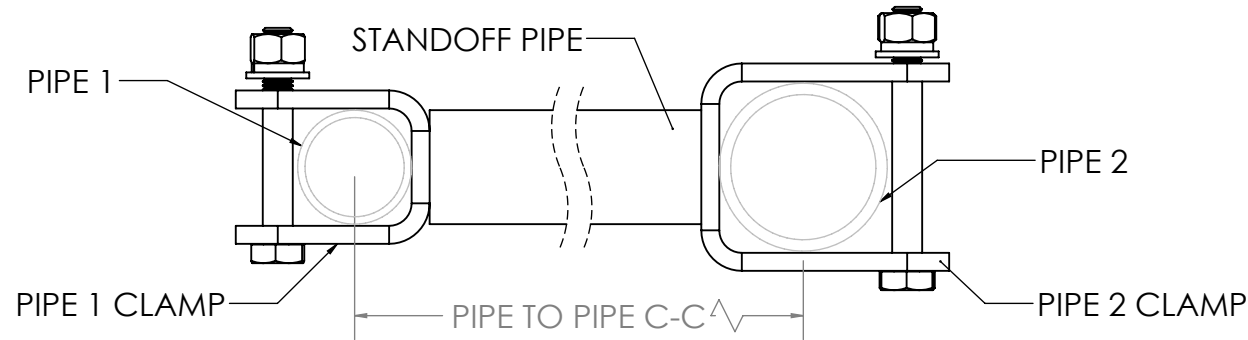
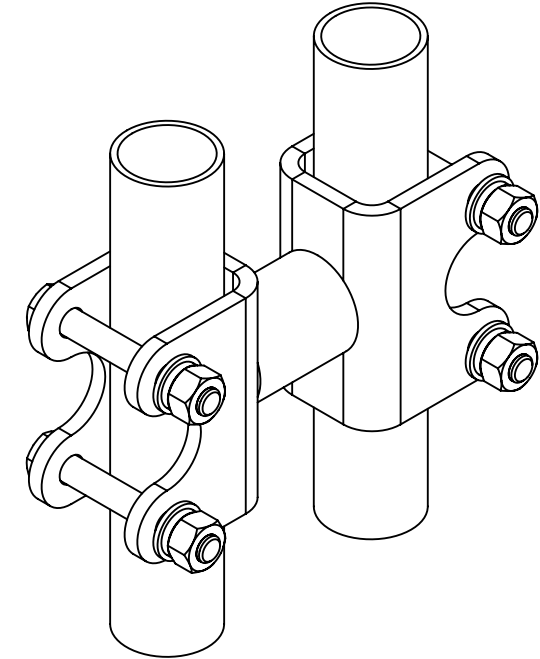
TALLEY

www.Talleycom.com | Sales@Talleycom.com | 800.949.7079

HORIZONTAL ORIENTATION:



VERTICAL ORIENTATION:



SHEET	THIRD ANGLE PROJECTION	CATEGORY	REV	DESCRIPTION	DATE
1 OF 3		06_Pipe and Attachment Hardware	4	36" CONFIGURATIONS ADDED	10/22/2024
		SERIES 01_Crossovers	3	STRENGTH VALUES	9/5/2024
10/24/2024	SCALE 1:4	TYPE PV-DC-PTPC_Pipe to Pipe connection	2	NEW CONMAT NUMBERS	7/30/2024
DIMENSIONS ARE IN INCHES TOLERANCES U.N.O. HOLES: +1/16", -1/32" ANGULAR: PROFILE \pm 1/4°, BEND \pm 2° ALL OTHERS: \pm 1/16"		BY BSB	1	18IN CONFGS, CEQ, REARRANGE DOC	5/1/2024
		CHECKED DJN	0	INITIAL RELEASE	3/30/2020
		STATUS APPROVED	REV	DESCRIPTION	DATE



DUALCROSS - PIPE TO PIPE CONNECTION
 DOCUMENT NUMBER PTPC-ENG-01-R4
 REV 4

C:\PVMSteel\Catalog\SW Working Files\Engineering Details\

Table 1: Crossover Pipe to Pipe Connection Configurations

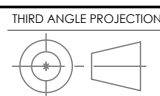
Part Number	CONMAT	Weight [lbs]	Pipe to Pipe C-C [in]	Pipe 1 Diameter [in]	Pipe 2 Diameter [in]	Pipe 1 Bolt Size [in]	Pipe 2 Bolt Size [in]	Standoff Pipe Diameter [in]	Available Lateral Strength (Φ=0.7)			Available Torsional Strength (Φ=0.7)		Available Lateral Twist Strength (Φ=0.9)		
									ΦRns (X)	ΦRns (Y)	ΦRns (Z)	ΦRnr (X)	ΦRnr (Y)	ΦRnl (Z)		
									[kip]	[kip]	[kip]	[kip-in]	[kip-in]	[kip-in]		
PV-DC-PTPC-2020-6	ANT.58922	13.0	6	Ø 2.375	Ø 2.375	Ø 5/8 x 4-1/2	Ø 5/8 x 4-1/2	Ø 2.375 (NPS 2 SCH40)	5.8	PIPE	PIPE	6.6	PIPE	21		
PV-DC-PTPC-2020-12	ANT.58935	14.8	12						5.8	PIPE	PIPE	6.6	PIPE	21		
PV-DC-PTPC-2020-18	ANT.58936	16.6	18						5.8	PIPE	PIPE	6.6	PIPE	21		
PV-DC-PTPC-2020-24	ANT.58869	18.5	24						5.8	PIPE	PIPE	6.6	PIPE	21		
PV-DC-PTPC-2020-36	-	22.1	36						5.8	PIPE	PIPE	6.6	PIPE	21		
PV-DC-PTPC-2025-6	ANT.58856	13.8	6						5.8	PIPE	PIPE	6.6	PIPE	21		
PV-DC-PTPC-2025-12	ANT.58811	15.7	12		Ø 2.875	Ø 5/8 x 4-1/2	Ø 5/8 x 5		5.8	PIPE	PIPE	6.6	PIPE	21		
PV-DC-PTPC-2025-18	ANT.58822	17.5	18						5.8	PIPE	PIPE	6.6	PIPE	21		
PV-DC-PTPC-2025-24	ANT.58800	19.3	24						5.8	PIPE	PIPE	6.6	PIPE	21		
PV-DC-PTPC-2025-36	-	23.0	36						5.8	PIPE	PIPE	6.6	PIPE	21		
PV-DC-PTPC-2030-6	ANT.58876	15.0	6						Ø 3.5	Ø 5/8 x 5-1/2	5.8	PIPE	PIPE	6.6	PIPE	21
PV-DC-PTPC-2030-12	ANT.58881	19.1	12								5.8	PIPE	PIPE	6.6	PIPE	21
PV-DC-PTPC-2030-18	ANT.58875	18.6	18		5.8	PIPE	PIPE				6.6	PIPE	21			
PV-DC-PTPC-2030-24	ANT.58848	20.4	24		5.8	PIPE	PIPE				6.6	PIPE	21			
PV-DC-PTPC-2030-36	-	24.1	36		5.8	PIPE	PIPE				6.6	PIPE	21			
PV-DC-PTPC-2525-6	ANT.58911	15.2	6		Ø 2.875	Ø 2.875	Ø 5/8 x 5				Ø 2.875 (NPS 2-1/2 SCH40)	5.8	PIPE	PIPE	6.6	PIPE
PV-DC-PTPC-2525-12	ANT.58823	18.0	12						5.8	PIPE		PIPE	6.6	PIPE	30	
PV-DC-PTPC-2525-18	ANT.58845	21.0	18						5.8	PIPE		PIPE	6.6	PIPE	30	
PV-DC-PTPC-2525-24	ANT.58873	23.9	24	5.8				PIPE	PIPE	6.6		PIPE	30			
PV-DC-PTPC-2525-36	-	29.7	36	5.8				PIPE	PIPE	6.6		PIPE	30			
PV-DC-PTPC-2530-6	ANT.58889	16.2	6	Ø 3.5				Ø 5/8 x 5-1/2	5.8	PIPE		PIPE	6.6	PIPE	30	
PV-DC-PTPC-2530-12	ANT.58923	19.1	12			5.8	PIPE		PIPE	6.6		PIPE	30			
PV-DC-PTPC-2530-18	ANT.58865	18.6	18			5.8	PIPE		PIPE	6.6		PIPE	30			
PV-DC-PTPC-2530-24	ANT.58918	25.0	24			5.8	PIPE		PIPE	6.6		PIPE	30			
PV-DC-PTPC-2530-36	-	30.7	36			5.8	PIPE		PIPE	6.6		PIPE	30			
PV-DC-PTPC-3030-6	ANT.58897	17.5	6			Ø 3.5	Ø 5/8 x 5-1/2		Ø 5/8 x 5-1/2	Ø 3.5 (NPS 3 SCH40)		5.8	PIPE	PIPE	7.5	PIPE
PV-DC-PTPC-3030-12	ANT.58853	21.3	12	5.8				PIPE				PIPE	7.5	PIPE	40.5	
PV-DC-PTPC-3030-18	ANT.58917	25.1	18	5.8	PIPE			PIPE			7.5	PIPE	40.5			
PV-DC-PTPC-3030-24	ANT.58887	28.9	24	5.8	PIPE			PIPE			7.5	PIPE	40.5			
PV-DC-PTPC-3030-36	-	36.5	36	5.8	PIPE			PIPE			7.5	PIPE	40.5			
PV-DC-PTPC-3040-6	-	19.1	6	Ø 4.5	Ø 5/8 x 6-1/2			5.8			PIPE	PIPE	7.5	PIPE	40.5	
PV-DC-PTPC-3040-12	-	23.0	12				5.8	PIPE	PIPE		7.5	PIPE	40.5			
PV-DC-PTPC-3040-18	-	26.7	18				5.8	PIPE	PIPE		7.5	PIPE	40.5			
PV-DC-PTPC-3040-24	-	30.5	24				5.8	PIPE	PIPE		7.5	PIPE	40.5			
PV-DC-PTPC-3040-36	-	38.1	36					5.8	PIPE		PIPE	7.5	PIPE	40.5		

*PIPE: STRENGTH BASED ON STRENGTH OF STANDOFF PIPE



www.Talleycom.com | Sales@Talleycom.com | 800.949.7079

SHEET
2 OF 3



SCALE
1:4

DIMENSIONS ARE IN INCHES
TOLERANCES U.N.O.
HOLES: +1/16", -1/32"
ANGULAR: PROFILE ±1/4°, BEND ±2°
ALL OTHERS: ±1/16"

CATEGORY 06_Pipe and Attachment Hardware

SERIES 01_Crossovers

TYPE PV-DC-PTPC_Pipe to Pipe connection

BY BSB

CHECKED DJN

STATUS APPROVED

4 36" CONFIGURATIONS ADDED

3 STRENGTH VALUES

2 NEW CONMAT NUMBERS

1 18IN CONFIGS, CEQ, REARRANGE DOC

0 INITIAL RELEASE

REV

DESCRIPTION

10/22/2024

9/5/2024

7/30/2024

5/1/2024

3/30/2020

DATE



DUALCROSS - PIPE TO PIPE CONNECTION

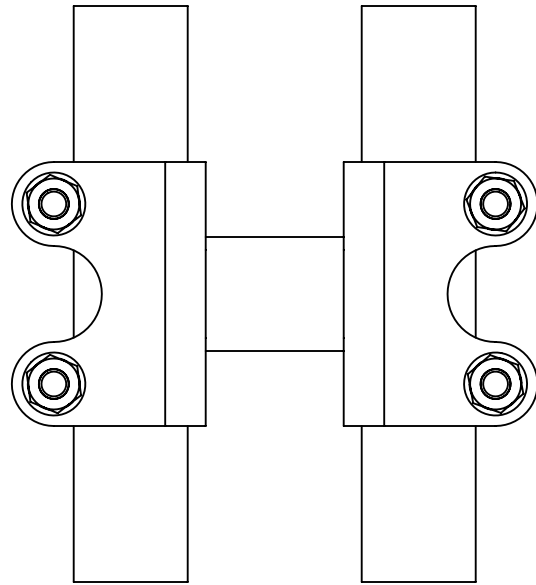
DOCUMENT NUMBER

PTPC-ENG-01-R4

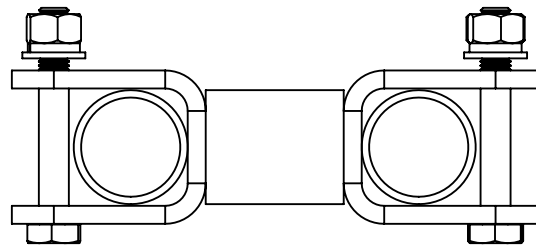
REV

4

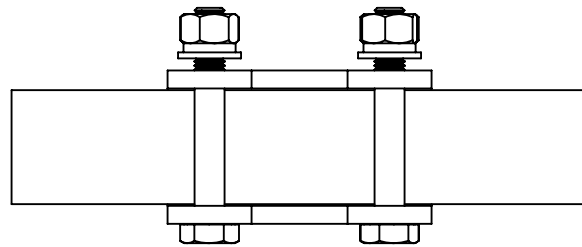
PRE-INSTALL ASSEMBLY:



TOP



FRONT

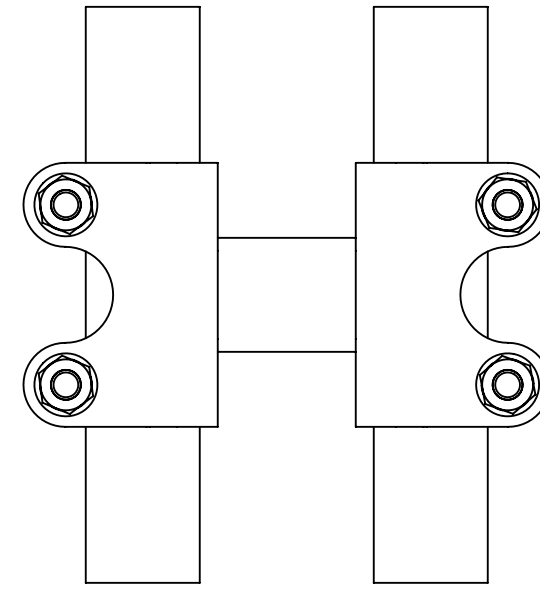


SIDE

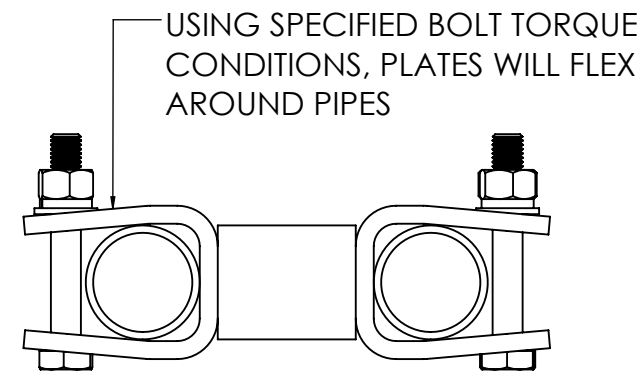
POST-INSTALL ASSEMBLY:



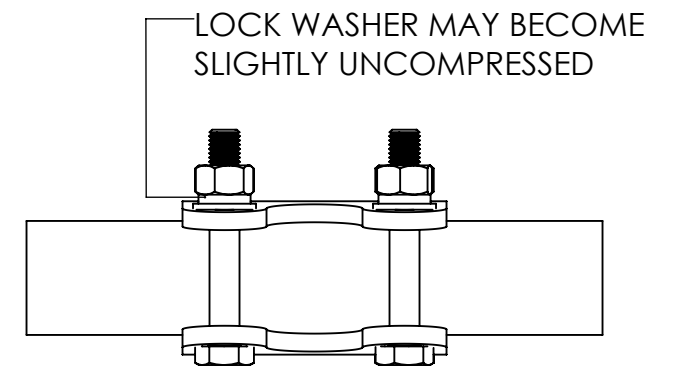
www.Talleycom.com | Sales@Talleycom.com | 800.949.7079



TOP



FRONT



SIDE

INSTALLATION NOTES: BOLT TORQUE: 100 FT-LBS WITH CLEAN, DRY ASSEMBLY

SHEET 3 OF 3	THIRD ANGLE PROJECTION 	CATEGORY	06_Pipe and Attachment Hardware	4	36" CONFIGURATIONS ADDED	10/22/2024	
		SERIES	01_Crossovers	3	STRENGTH VALUES	9/5/2024	
10/24/2024	SCALE 1:1	TYPE	PV-DC-PTPC_Pipe to Pipe connection	2	NEW CONMAT NUMBERS	7/30/2024	
DIMENSIONS ARE IN INCHES TOLERANCES U.N.O. HOLES: +1/16", -1/32" ANGULAR: PROFILE ±1/4°, BEND ±2° ALL OTHERS: ±1/16"		BY	BSB	1	18IN CONFIGS, CEQ, REARRANGE DOC	5/1/2024	
		CHECKED	DJN	0	INITIAL RELEASE	3/30/2020	
		STATUS	APPROVED	REV	DESCRIPTION	DATE	
						DOCUMENT NUMBER	PTPC-ENG-01-R4
						REV	4

C:\PVMSteel\Catalog\SW Working Files\Engineering Details\