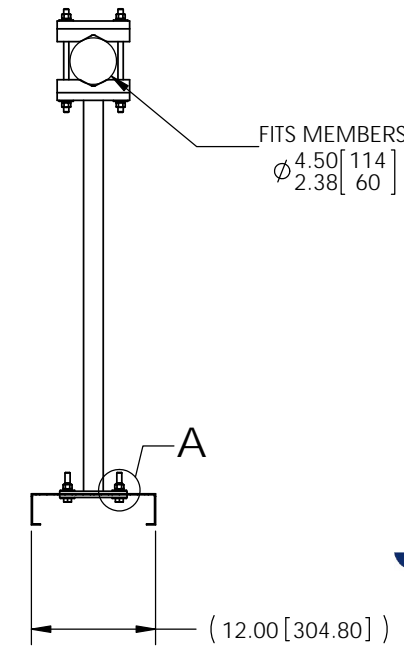
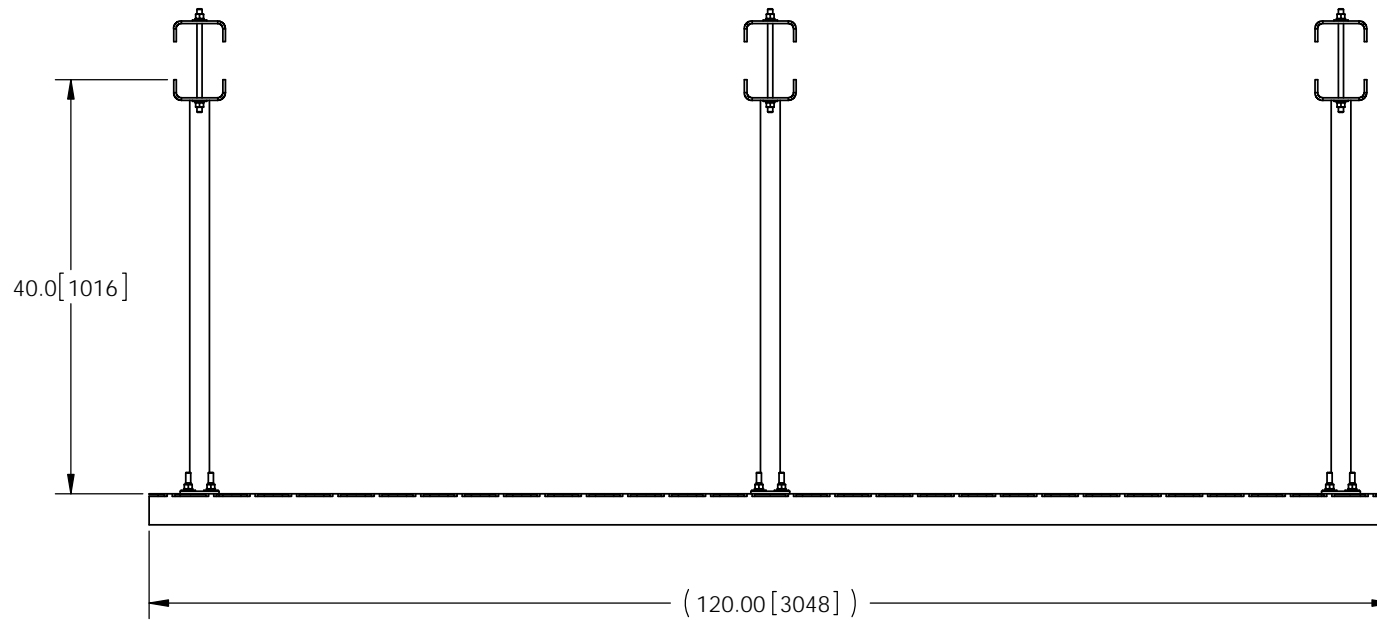
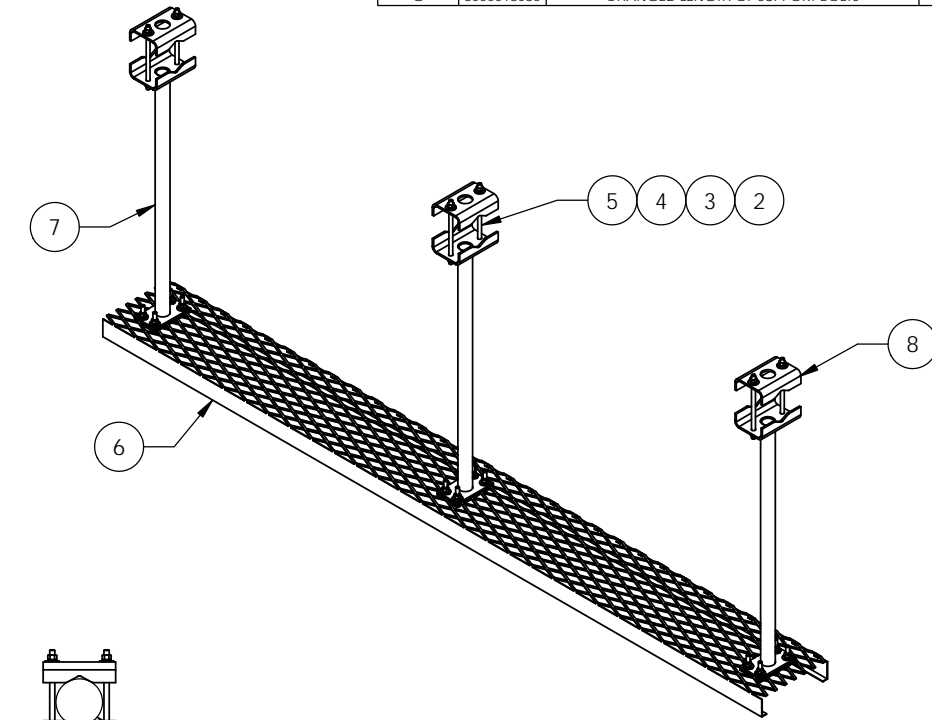
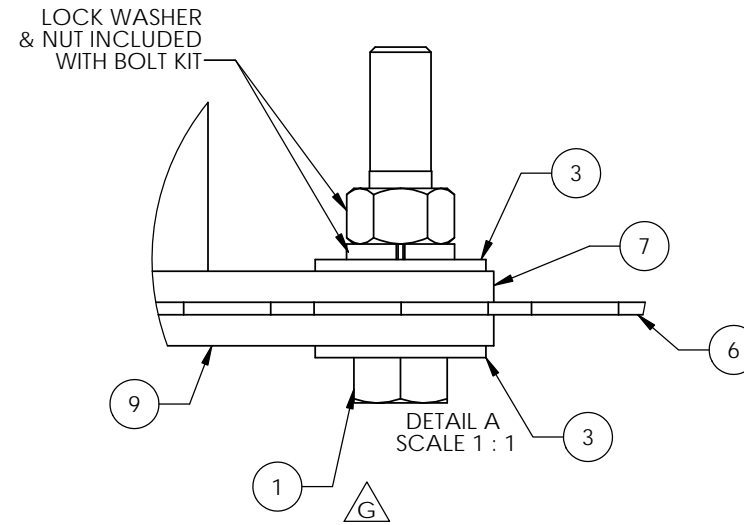


NOTES:

1.0 ALL METRIC DIMENSIONS ARE IN BRACKETS.

REV.	ECN	DESCRIPTION	BY	DATE
A		INITIAL RELEASE	CAM	02/19/02
B		UPDATE PART LIST	ACG	06/30/04
C		ADDED DETAIL OF BOLT KIT	ACG	02/07/05
D		REPLACE MT-354 TO WB-CY110 & MT-386 TO MT-388	ACG	08/15/05
E		GWFF-04 QUANTITY UPDATED TO 24	DRR	03/04/11
F	8000014864	REDESIGNED SUPPORTS	DRR	05/24/16
G	8000018080	CHANGED LENGTH OF SUPPORT BOLTS	DRR	12/05/16



TALLEY
 You Connect the World. We Make it Easy.®

COMMSCOPE, INC. OF NORTH CAROLINA

TOLERANCES		SAP MATERIAL MASTER	
0 PLACE $x \pm .25$	2 PLACE $xx \pm .03$	WP-216	
1 PLACE $x \pm .06$	ANGLES $\pm 2^\circ$		
FINISH		MATERIAL	
GALV A123		A36, A53, A568	
UNLESS OTHERWISE SPECIFIED, DIMENSIONS ARE IN MILLIMETERS INTERPRET PER ISO STANDARDS HANDBOOK TECHNICAL DRAWINGS, VOLUMES 1 & 2, THIRD EDITION (2002)	NAME	DATE	TITLE
	CE	ACG	2/19/02
	RW		
	AD		
RE	TP	2/19/02	SCALE
ECN	8000014864		1:12
DOCUMENT NO.		WP-216	
SIZE	WORK AREA	MODEL	DRAWING
C		VERSION	STATUS
		REVISION	VERSION
		REVISION	STATUS
			REVISION
			G
			SHEET
			1 OF 1

ITEM	PART NO.	DESCRIPTION	QTY.	WEIGHT
1	GB-0424A	1/2" X 2-1/2" GALV BOLT KIT (A325)	12	0.19 LBS
2	GN-04	1/2" GALV HEX NUT	12	0.04 LBS
3	GWFF-04	1/2" GALV FLAT WASHER	36	0.03 LBS
4	GWL-04	1/2" GALV LOCK WASHER	12	0.01 LBS
5	MT37910	1/2" X 10" GALV THREADED ROD	6	0.55 LBS
6	WB-CY110	SAFETY GRATING 12" X 10"	1	36.54 LBS
7	WP21605	SUPPORT, WORK PLATFORM	3	13.48 LBS
8	WP21606	CLAMP, TOP	3	3.56 LBS
9	WP21607	PLATE, BACKING	3	1.37 LBS