

WB-TS24

Trapeze Kit, 24 in wide, one rung



Dimensions

Width	609.6 mm 24.0 in
Height	76.2 mm 3.0 in
Length	76.2 mm 3.0 in
Weight	1.9 kg 4.1 lb

General Specifications

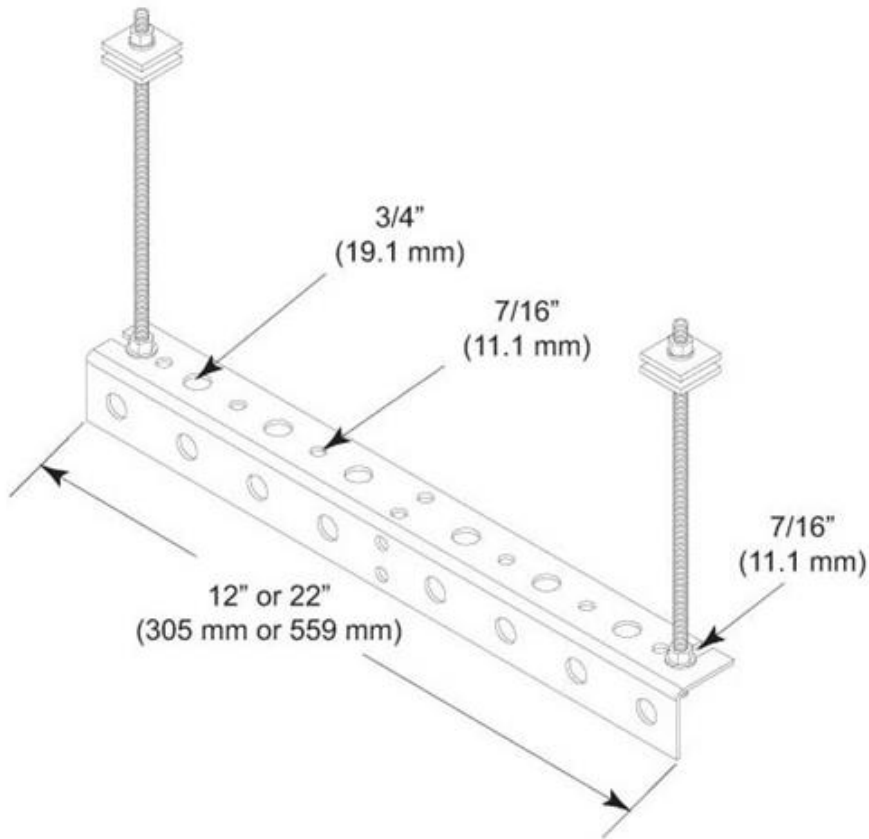
Product Type	Trapeze kit
Application	Waveguide bridge kit, 24 in
Cable Runs, quantity	6
Hole Size	3/4 in 7/16 in
Hole, quantity	6
Includes	Angle brackets Hardware Threaded rod
Material Type	Hot dip galvanized steel
Mounting	Waveguide bridge channel
Package Quantity	1
Rungs, quantity	1

WB-TS24

POWERED BY



Outline Drawing



Regulatory Compliance/Certifications

Agency	Classification
ISO 9001:2008	Designed, manufactured and/or distributed under this quality management system