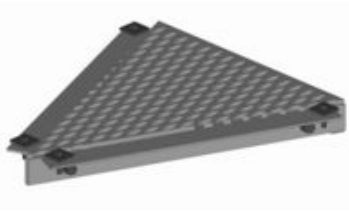


POWERED BY



WB-CF45

Waveguide Bridge Corner Filler, 45°

Dimensions

Width	609.6 mm 24.0 in
Height	76.2 mm 3.0 in
Length	609.6 mm 24.0 in
Weight	14.5 kg 32.0 lb

General Specifications

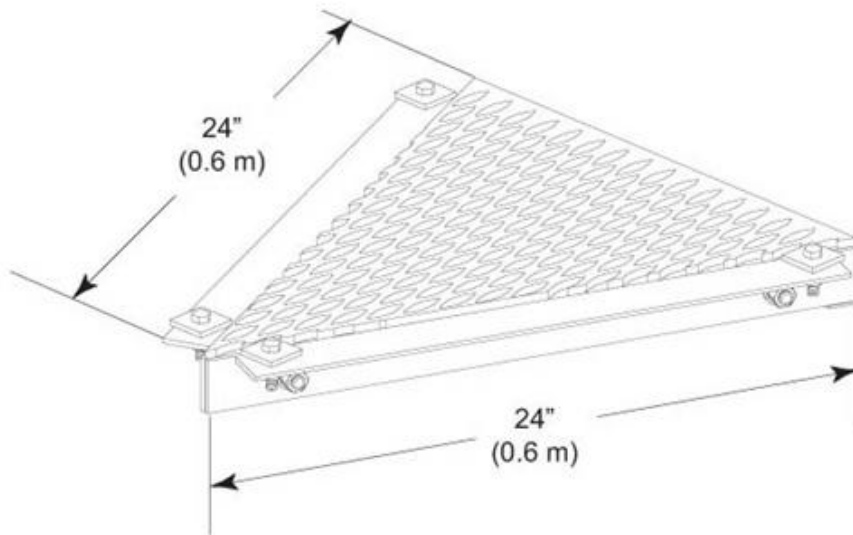
Product Type	Waveguide bridge kit
Application	Waveguide bridge kit, 24 in
Includes	Corner modules Mounting hardware
Material Type	Hot dip galvanized steel
Mounting	Waveguide bridge kit
Package Quantity	1

WB-CF45

POWERED BY



Outline Drawing



Regulatory Compliance/Certifications

Agency	Classification
ISO 9001:2008	Designed, manufactured and/or distributed under this quality management system