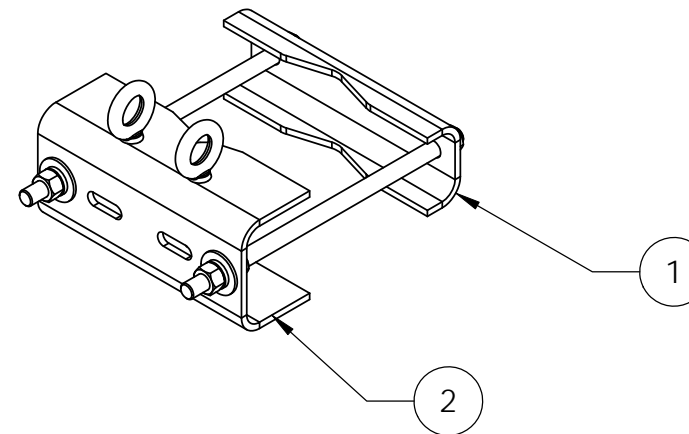
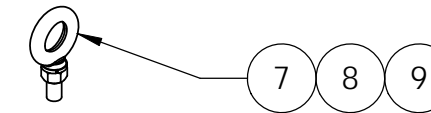
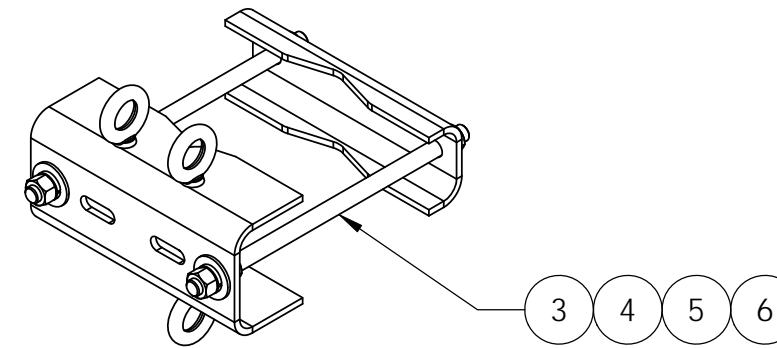


ITEM	PART NO.	DESCRIPTION	QTY.	WEIGHT
1	SMU2080.06	CLAMP PLATE	2	6.43 LBS
2	SMU208004	MOUNT	2	12.15 LBS
3	MT-384-16	3/4" X 16" GALV THREADED ROD	4	1.99 LBS
4	GWF-06	3/4" GALV FLAT WASHER	8	0.10 LBS
5	GWL-06	3/4" GALV LOCK WASHER	8	0.09 LBS
6	GN-06	3/4" GALV HEX NUT	12	0.04 LBS
7	MTC337710	Eye Bolt 5/8" Dia 1-3/4" Long	7	0.73 LBS
8	GWL-05	5/8" GALV LOCK WASHER	7	0.09 LBS
9	GN-05	5/8" GALV HEX NUT	7	0.04 LBS

REVISIONS				
REV.	ZONE	DESCRIPTION	BY	DATE
A		INITIAL RELEASE	MSM	04/26/12



TALLEY
 You Connect the World. We Make it Easy.®

NOTES:
 1. ALL METRIC DIMENSIONS ARE IN BRACKETS.

These drawings and specifications are the proprietary property of CommScope Inc. and may be used only for the specific purpose authorized in writing by CommScope Inc. ALL DIMENSIONS ARE IN INCHES U.O.S. TOLERANCES UNLESS OTHERWISE SPECIFIED: .X = ± .12 ANGLES ±2° .XX = ± .06 FRACTIONS ±1/32 .XXX = ± .03 REMOVE BURRS AND BREAK EDGES .005 DO NOT SCALE THIS PRINT	DRAWN BY: MSM	SHEET: 1 of 1	PART NUMBER: SM-UMDS
	CHECKED BY: TP	SCALE: NTS	DESCRIPTION: Universal Saddle Mount for MD-S Guy Wires w/ Eye Bolts
	DATE: 04/26/12	MATERIAL: A36	DRAWING TYPE: ASSEMBLY DRAWING
	REVISION: A	FINISH: GALV A123	COMMSCOPE Hickory, NC 28602 U.S.A.
	WEIGHT: 53.33 LBS		