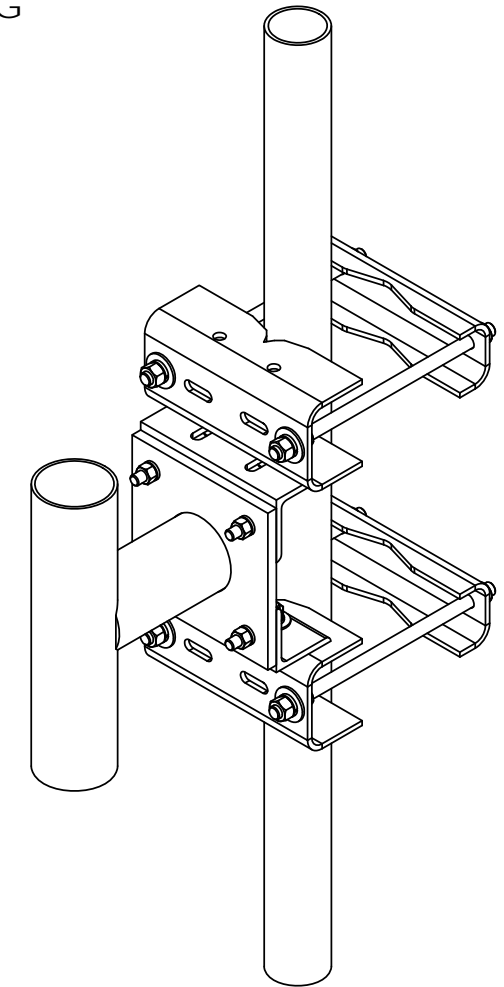
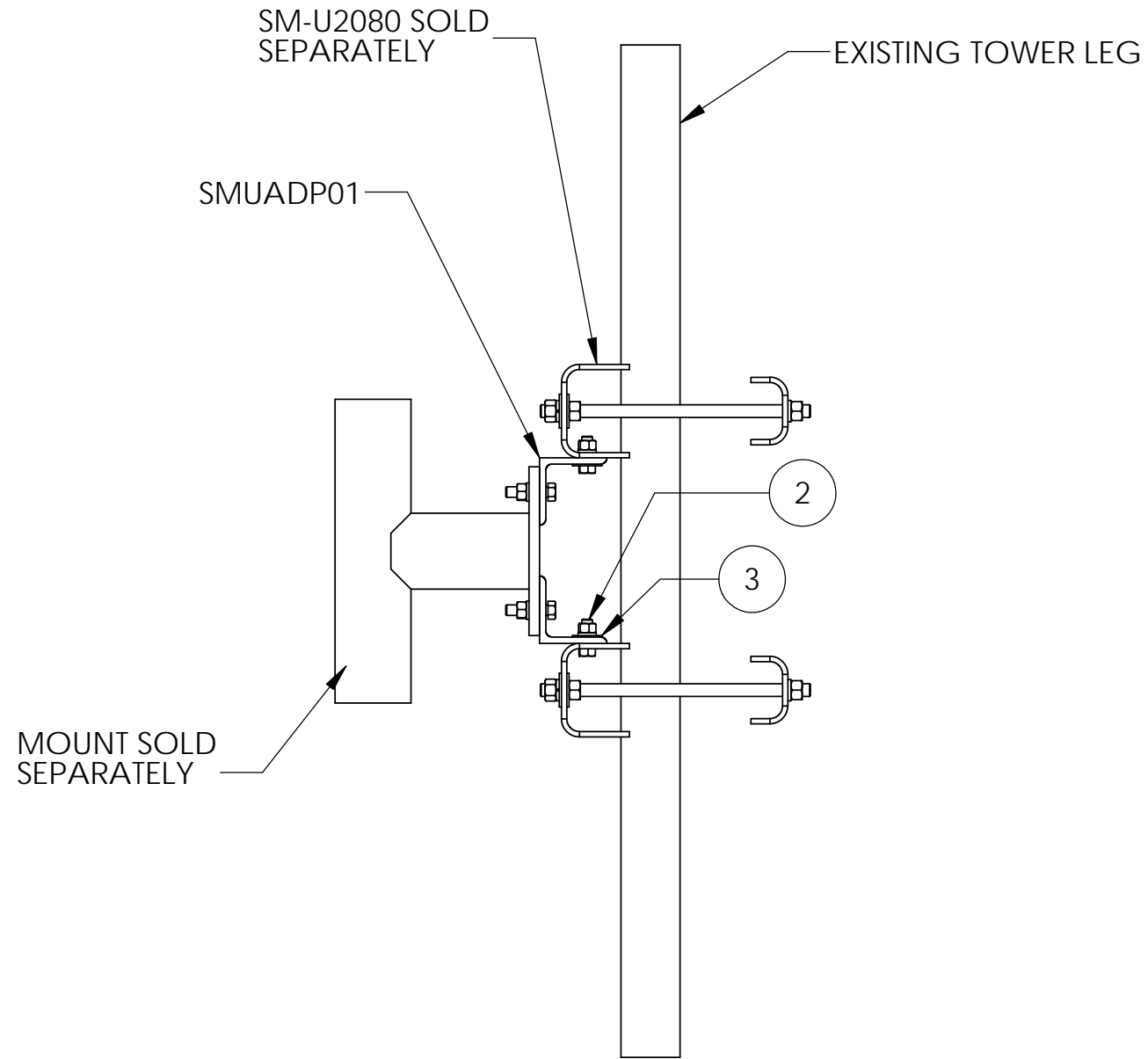
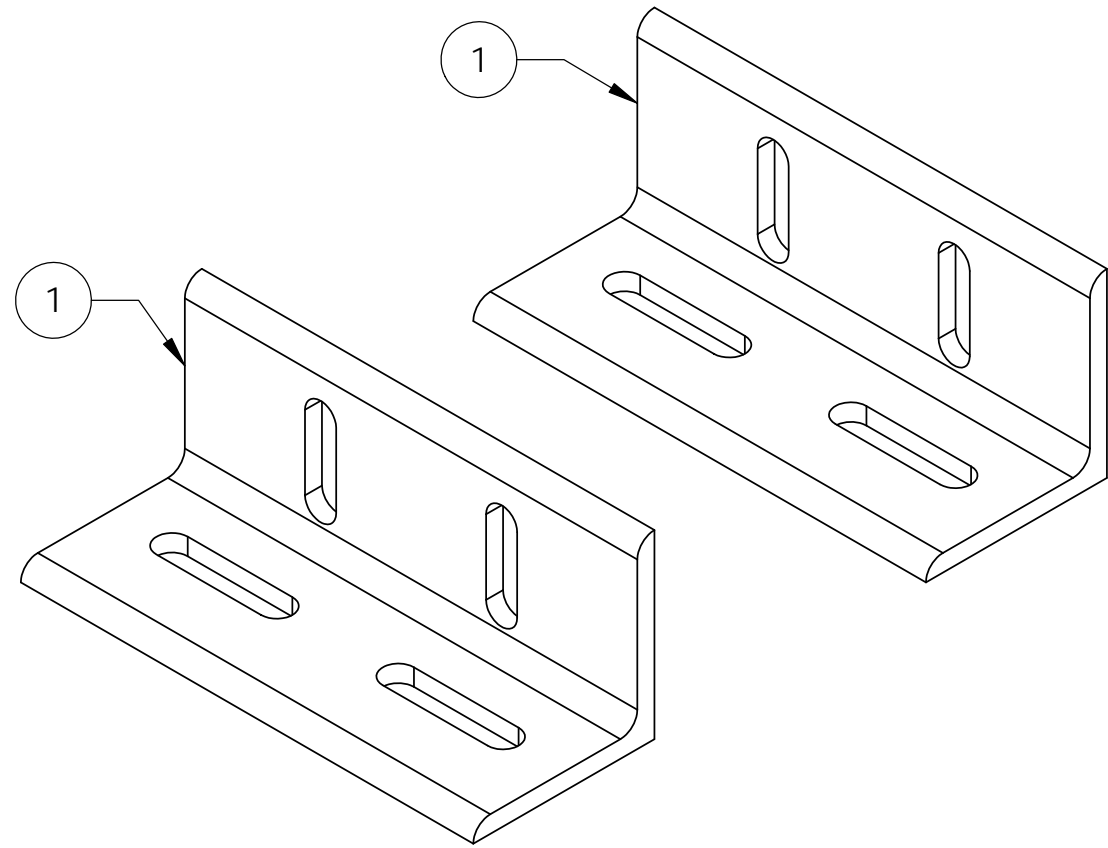


ITEM	PART NO.	DESCRIPTION	QTY.	WEIGHT
1	SMUADP.01	ANGLE ADAPTER FOR SM-U SERIES	2	7.24 LBS
2	GB-0516A	5/8" X 1-3/4" GALV BOLT KIT A325	4	0.24 LBS
3	GWF-05	5/8" GALV FLAT WASHER	4	0.06 LBS

REVISIONS				
REV.	ZONE	DESCRIPTION	BY	DATE
A		INITIAL RELEASE	DI	02/16/05
B		ADD IN USE VIEW	MSM	06/11/12
C		ADD GALV BOLT KIT	HC	12/10/2013



SM-UAPD IN USE

TALLEY
You Connect the World. We Make it Easy.®

These drawings and specifications are the proprietary property of CommScope Inc. and may be used only for the specific purpose authorized in writing by CommScope Inc. ALL DIMENSIONS ARE IN INCHES U.O.S. TOLERANCES UNLESS OTHERWISE SPECIFIED: .X = ± .06 ANGLES ±2° .XX = ± .03 FRACTIONS ±1/32 .XXX = ± .010 REMOVE BURRS AND BREAK EDGES .005 DO NOT SCALE THIS PRINT	DRAWN BY: DI	SHEET: 1 of 1	PART NUMBER: SM-UADP
	CHECKED BY: TP	SCALE: NTS	DESCRIPTION: ANGLE ADAPTER FOR SM-U SERIES
	DATE: 2/16/05	MATERIAL: A36	DRAWING TYPE: ASSEMBLY DRAWING
	REVISION: C	FINISH: GALV A123	COMMSCOPE Hickory, NC 28602 U.S.A.
	WEIGHT: 7.24 LBS		