

4

3

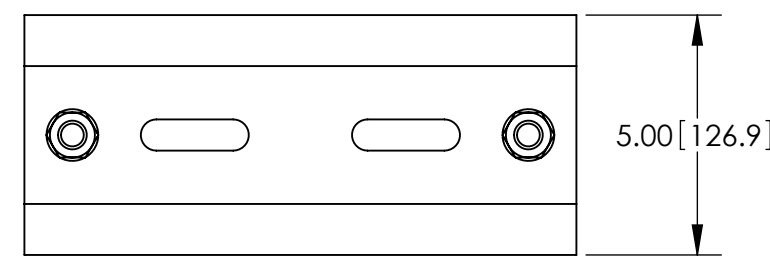
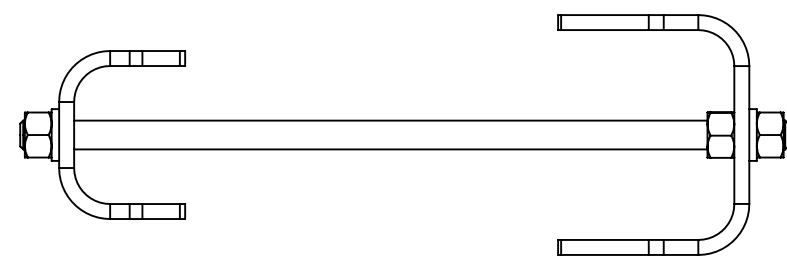
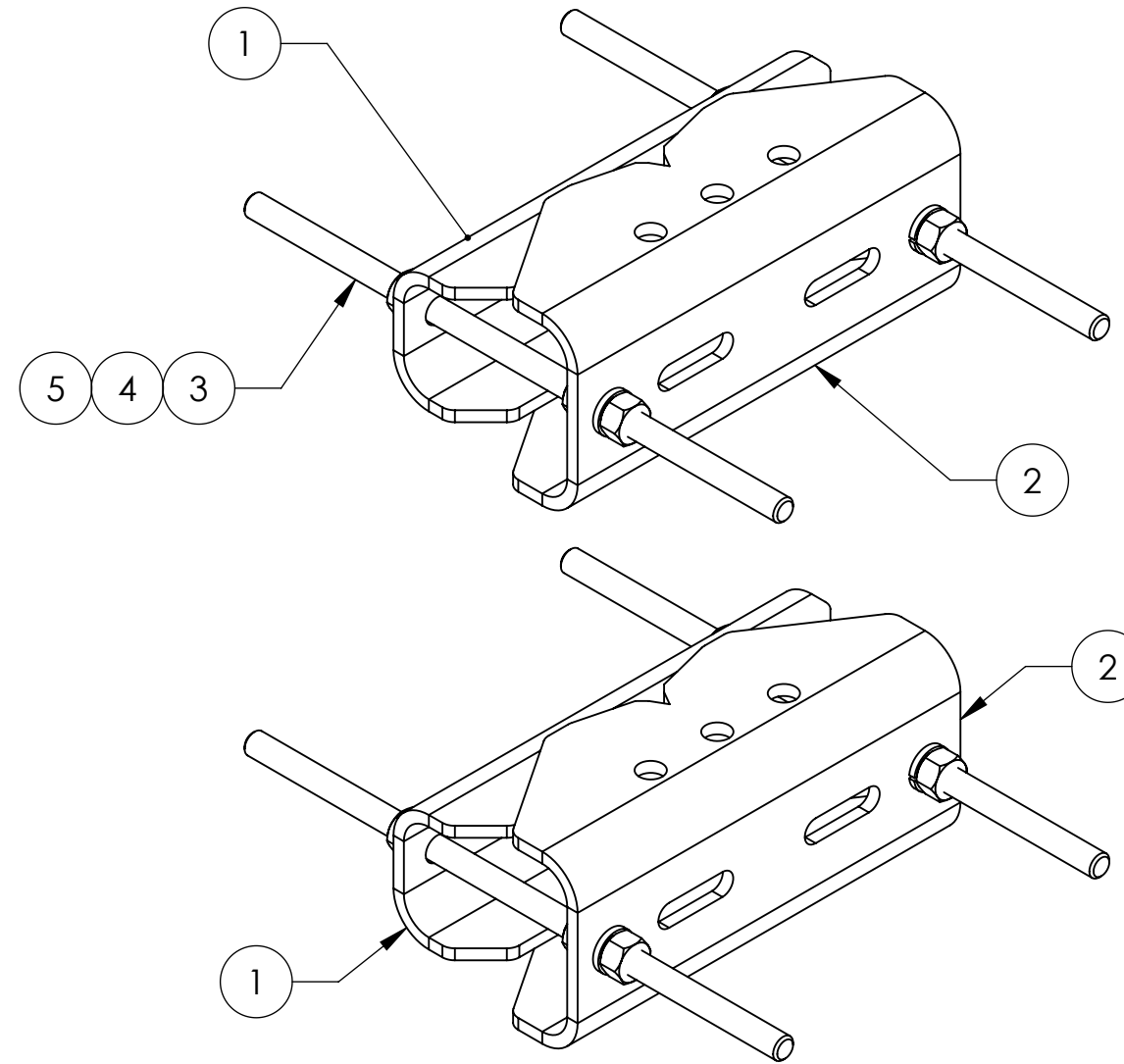
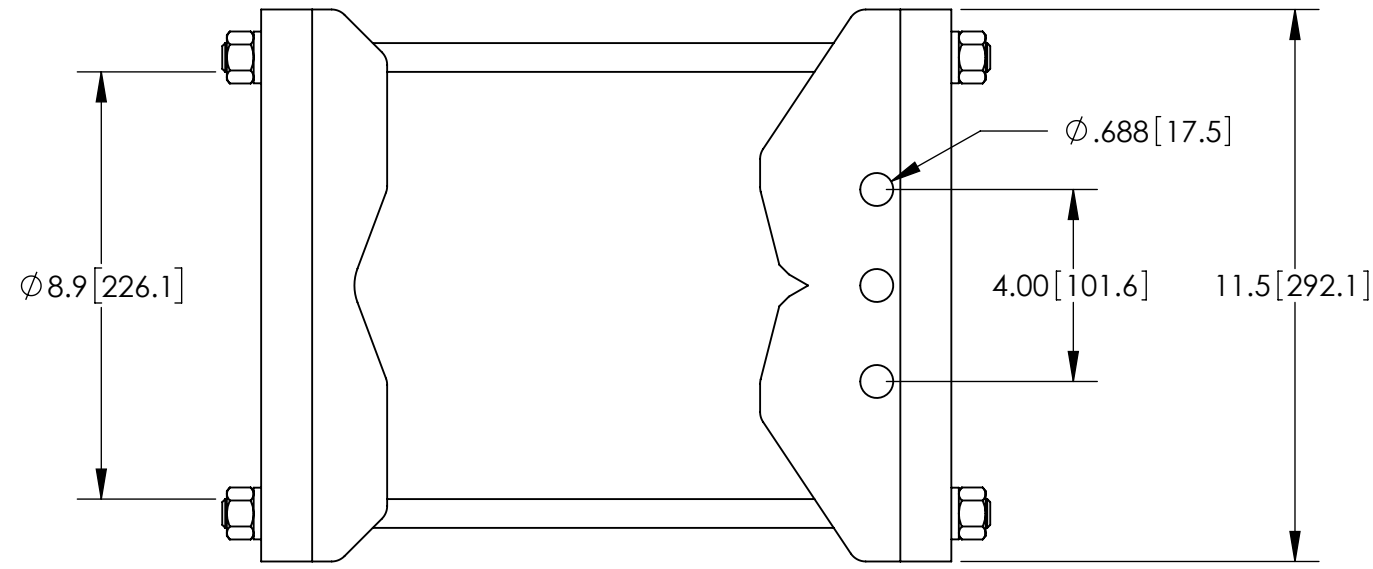
2

1

NOTES:

1.0 ALL METRIC DIMENSIONS ARE IN BRACKETS.

REVISIONS				
REV.	ECN	DESCRIPTION	BY	DATE
K		UPDATE ITEM 1	ACG	04/03/03
M		UPDATE BOM	ACG	07/07/03
N		UPDATE ITEM 11	ACG	01/14/04
P		UPDATE DESIGN	AW	10/20/04
R		REPLACE SMU2080.05 WITH SMU2080.06	ACG	03/31/08
T		UPDATE SMU2080.06 AND SMU2080.04	MSM	05/06/09
U		UPDATE ISO VIEW	MSM	09/25/12
V	8000030482	UPDATED DESIGN & FROMAT	RJC	06/25/18
W	8000031008	REPLACED 3/4 HDW WITH 5/8 HDW	RJC	08/23/18



ITEM	PART NO.	DESCRIPTION	QTY.	WEIGHT	NOTE NO.
1	MTC397521	CLAMP, BACK	2	6.94 LBS	
2	MTC397522	CLAMP, FRONT MOUNTING	2	10.02 LBS	
3	MT-382-16	5/8" X 16" THREADED ROD	4	1.28 LBS	
4	GN-05	5/8" GALV HEX NUT	12	0.08 LBS	
5	GWL-05	5/8" GALV LOCK WASHER	8	0.03 LBS	



DENSITY	0.67	lbs/in <sup>3</sup>
MASS	47.47	lbs
VOLUME	71.05	in <sup>3</sup>
SURFACE AREA		in <sup>2</sup>
HEIGHT		
LENGTH		
WIDTH		

<b>COMMSCOPE, INC. OF NORTH CAROLINA</b>			
TOLERANCES		SAP MATERIAL MASTER	
0 PLACE X ± .25	2 PLACE .XX ± .03	<b>SM-U2080</b>	
1 PLACE .X ± .06	ANGLES ± 2°		
FINISH GALV A123		MATERIAL A1011/A1018	
UNLESS OTHERWISE SPECIFIED DIMENSIONS ARE IN INCHES INTERPRET PER ANSI Y 14.5M-1994	NAME	DATE	TITLE
	CE AW	10/20/04	<b>UNIVERSAL SADDLE MOUNT</b>
	RW RD1048	02/01/2019	
	RV		
	AD RD1048	02/01/2019	
RE RD1048	02/01/2019		
ECN 008000031008			SCALE <b>1:4</b>
DOCUMENT NO. <b>SM-U2080</b>			
SIZE	WORK AREA 24	MODEL	
<b>C</b>		VERSION	DRAWING
		00	STATUS
		RE	REVISION
		V	01
		RE	W
			SHEET
			1 OF 1

4

3

2

1