

ELECTRICAL SPECIFICATIONS

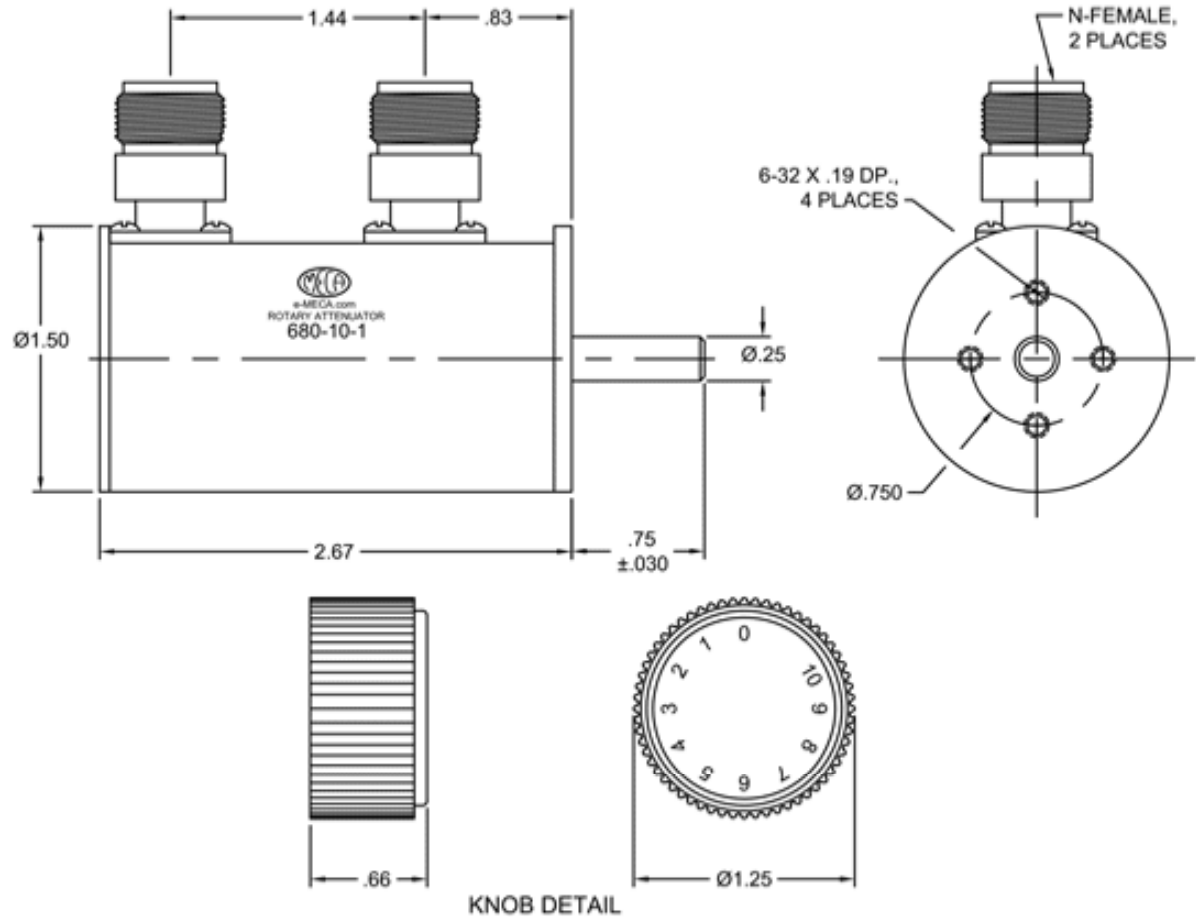
FREQUENCY: Hz - 2.400 GHz
 IMPEDANCE (NOM): 50 Ohms
 POWER (AVG): 2 WATTS *
 (PEAK): 1000 WATTS
 ATTENUATION RANGE: 0-10 dB IN 1 dB STEP
 STANDARD ROTATION: ATTENUATION INCREASES IN CLOCKWISE DIRECTION
 INDEXING: 30 DEGREES WITH STOPS AT MINIMUM AND MAXIMUM

* ATTENUATOR CAN BE USED FOR HIGHER POWER APPLICATIONS WITH ADDITION OF APPROPRIATELY SIZED FIXED ATTENUATOR.


FREQUENCY (GHz)	ATTENUATION ACCURACY	VSWR (MAX)	INSERTION LOSS (MAX)
Hz - 1.000	±0.3 dB	1.25 :1	0.3 dB
1.000 - 1.500	±0.4 dB	1.35 :1	0.5 dB
1.500 - 2.400	±0.5 dB	1.4:1	0.5 dB

MECHANICAL SPECIFICATIONS

CONNECTORS: N-FEMALE, BRASS NICKEL PLATE
 PIN, FEMALE: BERYLLIUM COPPER, GOLD PLATE
 HOUSING: ALUMINUM, RoHS COMPLIANT IRIDITE
 INSULATORS: PTFE, VIRGIN ELECTRICAL GRADE
 TEMPERATURE: -20°C TO +85°C
 WEIGHT: 7.98 oz



This document gives only a description of the product(s) and shall not form part of any contract. Please contact a MECA Applications Engineer for the most current specification drawing.

MATERIAL: SEE ABOVE		UNLESS OTHERWISE SPECIFIED, DIMENSIONS ARE IN INCHES		 ELECTRONICS, INC. DENVER, NEW JERSEY e-MECA.com
FINISH: SEE ABOVE		TOLERANCES 2 PLACES: ±.02 3 PLACES: ±.010 ANGLES: ±1/2°		
DRAWN:	DATE:	TIR: N/A		TITLE ROTARY ATTENUATOR, 50 OHMS, 2 WATT, TYPE N-FEMALE
APPROVED:	DATE:	SCALE: NTS	SIZE A	
		SHEET: 1 OF 1	CODE IDENT. NO. 22424	DRAWING NO. 680-10-1

LTR	PG	DESCRIPTION	DATE	DR	APP