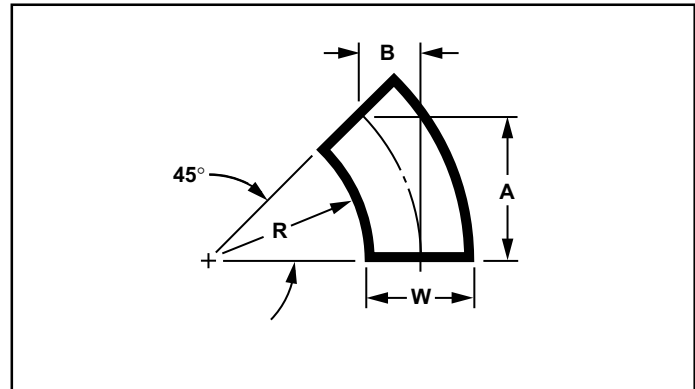
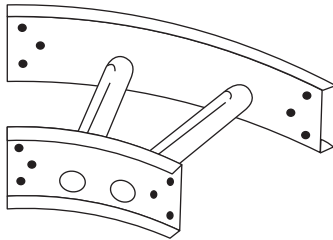


PART NO. 4F



3-Digit "Prefix" (see example below) Select one digit from each column			Min. X-Sept – 2 Rails for Load Depth NEC 318-7 (sq. in.)			
1 st Prefix Flange Width (in.)	2 nd Prefix Load Depth Depth (in.)	3 rd Prefix Material Finish	Alum		Steel	
			1 ³ / ₁₆ "	1 ¹ / ₄ "	1 ³ / ₁₆ "	1 ¹ / ₄ "
2 - 1 ³ / ₁₆ " 4 - 1 ¹ / ₄ "	3	6 - Mill Galv.	.60	1.00	.40	.70
	4	7 - HDGAF	.60	.60	.40	.70
	5	8 - Alum.	.60	1.00	.70	.70
	6	T - 304 SS	.60	1.00	.70	1.00

CSA Certified for CSA Systems

Radius - R	Width - W	Catalog Number	"A" Dimension	"B" Dimension
12" (305mm)	6" (152mm)	Prefix- 064F-12	10 ⁵ / ₈ " (270mm)	4 ³ / ₈ " (111mm)
	9" (229mm)	Prefix- 094F-12	11 ⁵ / ₈ " (295mm)	4 ⁷ / ₈ " (124mm)
	12" (305mm)	Prefix- 124F-12	12 ³ / ₄ " (324mm)	5 ¹ / ₄ " (133mm)
	18" (457mm)	Prefix- 184F-12	14 ⁷ / ₈ " (378mm)	6 ¹ / ₈ " (156mm)
	24" (610mm)	Prefix- 244F-12	17" (432mm)	7" (178mm)
	30" (762mm)	Prefix- 304F-12	19 ¹ / ₈ " (486mm)	7 ⁷ / ₈ " (200mm)
	36" (914mm)	Prefix- 364F-12	21 ¹ / ₄ " (540mm)	8 ³ / ₄ " (222mm)
24" (610mm)	6" (152mm)	Prefix- 064F-24	19 ¹ / ₈ " (486mm)	7 ⁷ / ₈ " (200mm)
	9" (229mm)	Prefix- 094F-24	20 ¹ / ₈ " (511mm)	8 ³ / ₈ " (213mm)
	12" (305mm)	Prefix- 124F-24	21 ¹ / ₄ " (540mm)	8 ³ / ₄ " (222mm)
	18" (457mm)	Prefix- 184F-24	23 ³ / ₈ " (594mm)	9 ⁵ / ₈ " (244mm)
	24" (610mm)	Prefix- 244F-24	25 ¹ / ₂ " (648mm)	10 ¹ / ₂ " (267mm)
	30" (762mm)	Prefix- 304F-24	27 ⁵ / ₈ " (702mm)	11 ¹ / ₂ " (292mm)
	36" (914mm)	Prefix- 364F-24	29 ³ / ₄ " (756mm)	12 ³ / ₈ " (314mm)
36" (914mm)	6" (152mm)	Prefix- 064F-36	27 ⁵ / ₈ " (702mm)	11 ¹ / ₂ " (292mm)
	9" (229mm)	Prefix- 094F-36	28 ⁵ / ₈ " (727mm)	11 ⁷ / ₈ " (302mm)
	12" (305mm)	Prefix- 124F-36	29 ³ / ₄ " (756mm)	12 ³ / ₈ " (314mm)
	18" (457mm)	Prefix- 184F-36	31 ⁷ / ₈ " (810mm)	13 ¹ / ₄ " (337mm)
	24" (610mm)	Prefix- 244F-36	34" (864mm)	14 ¹ / ₈ " (359mm)
	30" (762mm)	Prefix- 304F-36	36 ¹ / ₈ " (918mm)	15" (381mm)
	36" (914mm)	Prefix- 364F-36	38 ¹ / ₄ " (972mm)	15 ⁷ / ₈ " (403mm)

Example: 238-124F-12