

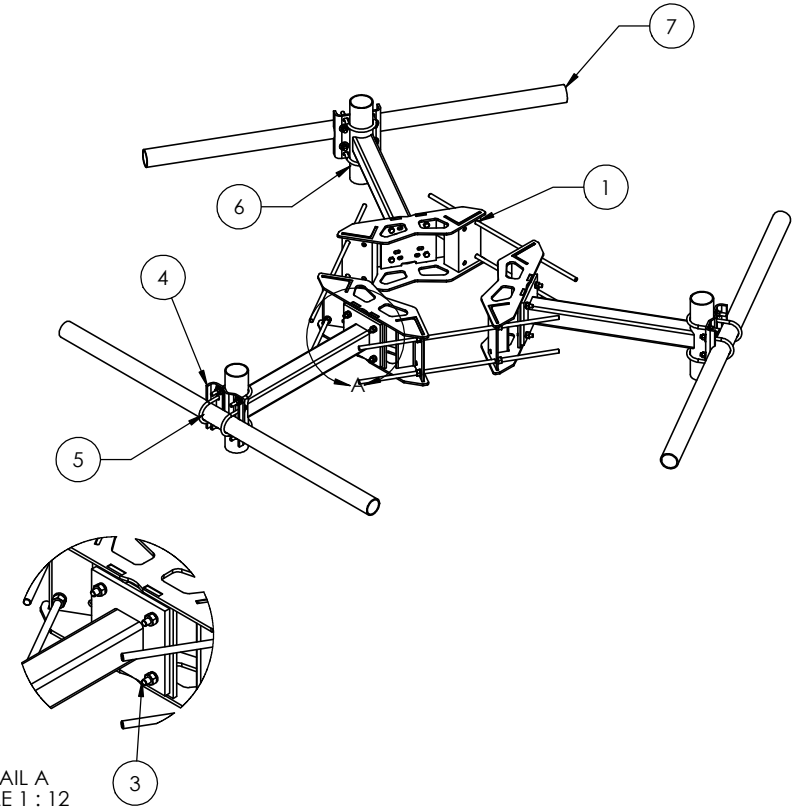
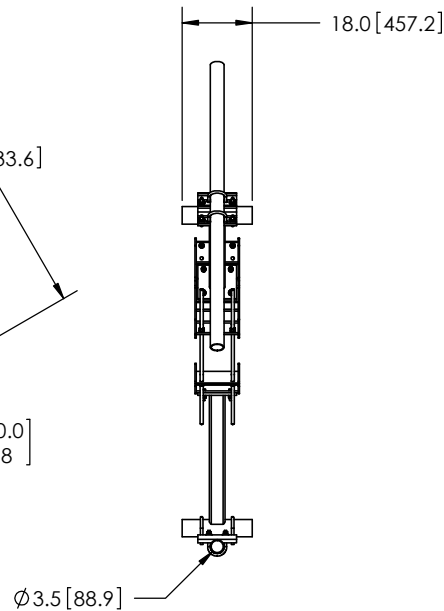
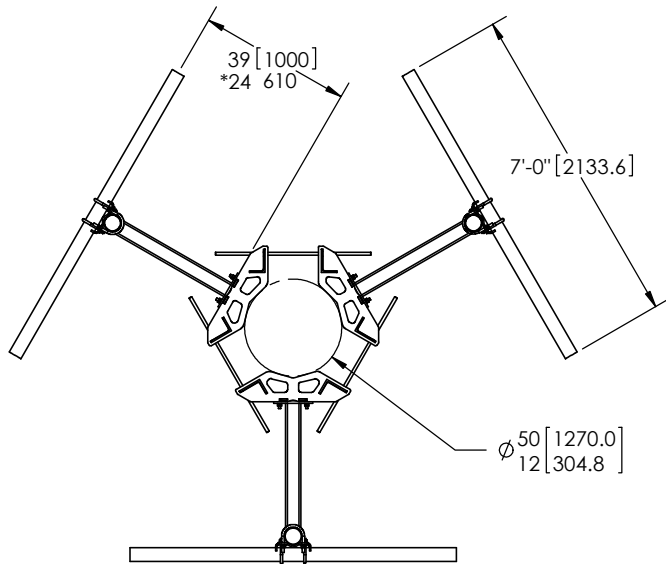
ITEM	PART NO.	DESCRIPTION	QTY.	WEIGHT
1	MC-RM1550-3	12" - 50" OD RINGMOUNT	1	230.42 LBS
2	MT197H	HARDWARE KIT (NEXT ITEM)	3	
3	GB-0524A	5/8" X 2-1/2" GALV BOLT KIT (A325)	12	0.31 LBS
4	MT216.13	CENTER BRACKET	3	11.80 LBS
5	GUB-53560	5/8" X 3-5/8" X 6" GALV U-BOLT	6	1.30 LBS
6	GUB-5456	5/8" X 4-5/8" X 6 1/2" GALV U-BOLT	6	1.43 LBS
7	MTC333912	Ø 3.5" O.D. X 84" PIPE	3	53.22 LBS
8	MT197.01*	*36" SINGLE SUPPORT ARM	3	62.84 LBS

\* 24" Stand-off is used with the MC-K6MHDX-6(9)-96

REVISIONS			
DESCRIPTION	BY	DATE	
INITIAL RELEASE	DRH	02/08/21	

www.Talleycom.com | Sales@Talleycom.com | 800.949.7079


**TALLEY**®



DETAIL A  
SCALE 1 : 12

NOTES:

1. ALL METRIC DIMENSIONS ARE IN BRACKETS.
2. FIT MONOPOLES 12"-50" OD.

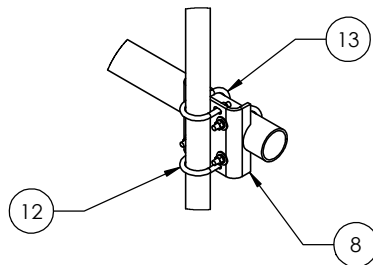
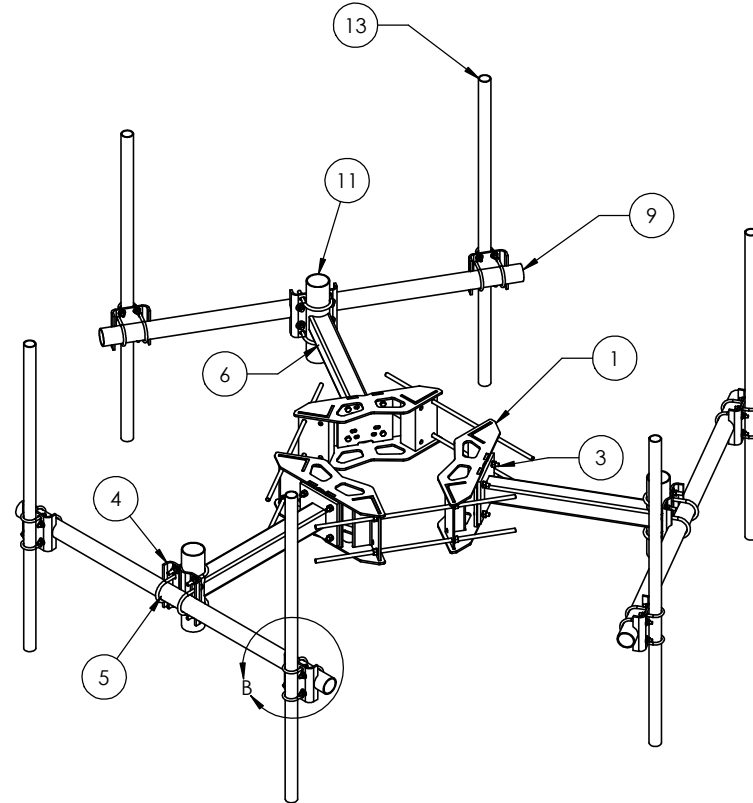
<small>These drawings and specifications are the proprietary property of ANDREW CORPORATION and may be used only for the specific purpose authorized in writing by Andrew Corporation.</small>			DRAWN BY: MSM CHECKED BY: TP DATE: 02/08/10 REVISION: PRE	SHEET: 1 of 3 SCALE: NTS MATERIAL: A36, A53 PART: GALV A123 SEE TABLE	PART NUMBER: MC-K6M-B SERIES DESCRIPTION: Monopole Co-Location T-Frame Base Kit DRAWING TYPE: ASSEMBLY DRAWING  WESTCHESTER, IL. 60154 U.S.A.
--	--	--	--	---	---

ITEM	PART NO.	DESCRIPTION	QTY.	WEIGHT
1	MC-RM1550-3	12" - 50" OD RINGMOUNT	1	230.42 LBS
2	MT197H	HARDWARE KIT (NEXT ITEM)	3	
3	GB-0524A	5/8" X 2-1/2" GALV BOLT KIT (A325)	12	0.31 LBS
4	MT216.13	CENTER BRACKET	3	11.80 LBS
5	GUB-53560	5/8" X 3-5/8" X 6" GALV U-BOLT	6	1.30 LBS
6	GUB-5456	5/8" X 4-5/8" X 6 1/2" GALV U-BOLT	6	1.43 LBS
7	MT-219-H	HARDWARE KIT (Next 3 Items)	6	
8	MT21701	PIPE MOUNT PLATE	6	7.93 LBS
9	MTC333912	Ø 3.5" O.D. X 84" PIPE	3	53.22 LBS
10	MT-651	2.375" OD x 72" PIPE	6	-
11	MT197.01*	*36" SINGLE SUPPORT ARM	3	62.84 LBS
12	GUB-4240	1/2" X 2-1/2" X 4" GALV U-BOLT	12	0.56 LBS
13	GUB-4356	1/2" X 3-5/8" X 6" GALV U-BOLT	12	0.82 LBS

PARTS LIST FOR USE WITH MC-K6M-B

T-FRAME #	PIPE	DESCRIPTION	QTY	WEIGHT
MC-K6MHDX-6-96	MT-651-96	2-3/8"OD X 96" GALV PIPE*	6	970.51 LBS
MC-K6MHDX-9-96	MT54696	2-7/8"OD X 96" GALV PIPE*	9	998.83 LBS
MC-K6M-6-96	MT-651-96	2-3/8"OD X 96" GALV PIPE	6	853.44 LBS
MC-K6M-9-96	MT-651-96	2-3/8"OD X 96" GALV PIPE	9	974.90 LBS

\* 24" Stand-off is used with the MC-K6MHDX-6(9)-96




DETAIL B  
SCALE 1 : 12

**TALLEY**

www.Talleycom.com | Sales@Talleycom.com | 800.949.7079

NOTES:  
1. ALL METRIC DIMENSIONS ARE IN BRACKETS.

<small>These drawings and specifications are the proprietary property of ANDREW CORPORATION and may be used only for the specific purpose authorized in writing by Andrew Corporation.</small>		DRAWN BY: MSM CHECKED BY: TP DATE: 02/08/10 REVISION: PRE REMOVE BURRS AND BREAK EDGES .005 DO NOT SCALE THIS PRINT	SHEET: 2 of 3 TITLE: NTS MATERIAL: A36, A53 FINISH: GALV A123 SEE TABLE	PART NUMBER: MC-K6M-B 96" SERIES DESCRIPTION: Monopole Co-Location T-Frame, Six 2-3/8" x 72" Pipe Mounts DRAWING TYPE: ASSEMBLY DRAWING  WESTCHESTER, IL. 60154 U.S.A.
--	--	--	---	---