

TRAY CONNECTORS

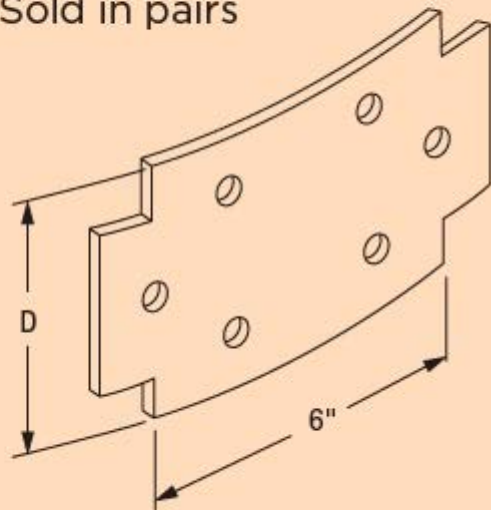
Load Depth	Finish (LADDER)	Basic No.
3"	6 (Mill Galv.)	-02RC
4"	7 (HDGAF)	-02CE
5"	8 (Alum.)	-02CV
6"	T (304SS)	-02CH -02CA

Example: 38-02RC for 3" load depth, aluminum, universal curvilinear connector.

NOTE: Hole patterns match corresponding tray.
Three-hole pattern illustrated.

UNIVERSAL CURVILINEAR CONNECTOR [RC]

NOTE: Sold in pairs



11 Gage Steel, 0.125" Aluminum
 $\frac{3}{8}$ "-16 spline bolts & flange nuts furnished.