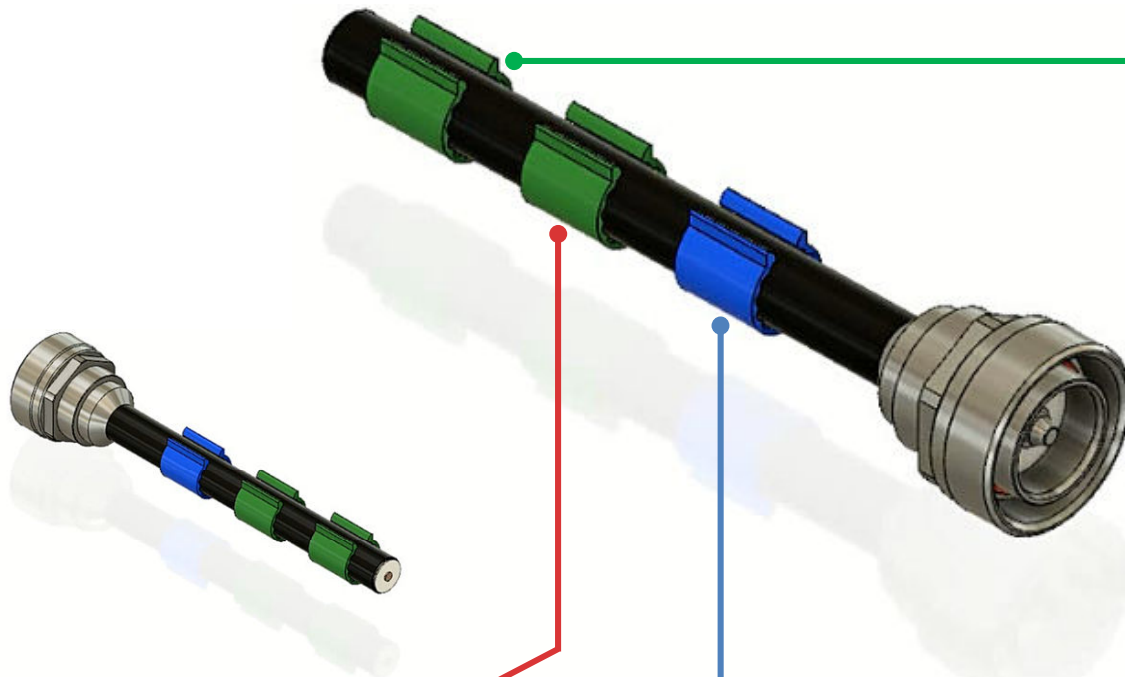
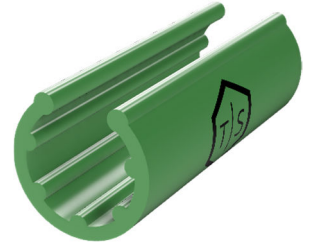


TEK Clip™

TEK-CP1-14

www.tek-inc.com

The TEK Clip™ by TEK Solutions, is an outdoor rated, UV resistant, polymer clip available in a variety of colors and sizes to aid in cable identification on cell sites. The simplistic design allows for quick, one-handed installation with no additional tools required. Once installed, the clip can be easily adjusted or removed with ease. One key feature of the TEK Clip™ is in its design which allows for installation over factory labels. This is due to the gap left in the clip opening once installed. Lastly, the TEK Clip™ will not come loose due to natural thermal expansion.



EASY INSTALLATION

Solid One-Piece design
is easy to install quickly
with no additional
tools required



WEATHER PROOF

Superior weather
performance in all
climate conditions:
Rain, Snow, Heat &
Cold



FLEXIBLE DESIGN

One size fits a range of
cable sizes & can be
placed over factory
labels. Easily adjusts as
needed

General Specifications

COLOR	PART #	COLOR	PART #	COLOR	PART #
 RED	TEK-CP1-14-RD	 YELLOW	TEK-CP1-14-YW	 GRAY	TEK-CP1-14-GY
 BLUE	TEK-CP1-14-BU	 ORANGE	TEK-CP1-14-OR	 WHITE	TEK-CP1-14-WT
 GREEN	TEK-CP1-14-GN	 PINK	TEK-CP1-14-PK	 LIME GREEN	TEK-CP1-14-LG
 PURPLE	TEK-CP1-14-PU	 BROWN	TEK-CP1-14-BN		

Technical Specifications

DIMENSIONS

HEIGHT	7.62 MM 0.30 IN
LENGTH	19.00 MM 0.75 IN
WIDTH	7.62 MM 0.30 IN
COMPATIBLE DIAMETER, IDEAL	6.35 MM 0.25 IN (1/4" Nominal Cable Size)
COMPATIBLE DIAMETER, MAXIMUM	7.40 MM 0.29 IN
COMPATIBLE DIAMETER, MINIMUM	5.30 MM 0.21 IN

GENERAL SPECIFICATIONS

PACKAGE QUANTITY	100
------------------	-----

ENVIRONMENTAL SPECIFICATIONS

OPERATING TEMPERATURE	-46 °C TO +85 °C (-50 °F TO +185 °F)
-----------------------	--------------------------------------

MECHANICAL SPECIFICATIONS

UV RESISTANCE	≥1000 HOURS EXPOSURE IN ACCELERATED UV LIFE CHAMBER
SYSTEM PIM PERFORMANCE	IM3 <-100 DBM ~ IEC 62037-8, N.F 2X20W D/S TEST
RETENTION FORCE	20N (4.50 LBI) TO 40N (8.99 LBI) BASED ON CABLE
DUTY CYCLE	≥200 CYCLES
MATERIAL TYPE	UV STABLE POLYCARBONATE

COMPLIANCE SPECIFICATIONS

AGENCY	CLASSIFICATION
ISO 9001:2015	DESIGNED, MANUFACTURED AND/OR DISTRIBUTED UNDER THIS QUALITY MANAGEMENT SYSTEM



Important Notice

All statements, technical information, and recommendations related to TEK Solutions products are based on information believed to be reliable, but the accuracy or completeness is not guaranteed. Before using this product, you must evaluate it and determine if it is suitable for your intended application. You assume all risks and liability associated with such use. Any statements related to the product which are not contained in TEK Solutions current publications, or any contrary statements contained on your purchase order shall have no force or effect unless expressly agreed upon, in writing, by an authorized officer of TEK Solutions.

Warranty; Limited Remedy; Limited Liability.

This product will be free from defects in material and manufacture for a period of 12 months from the time of purchase. TEK Solutions MAKES NO OTHER WARRANTIES INCLUDING, BUT NOT LIMITED TO, ANY IMPLIED WARRANTY OF MERCHANTABILITY OR FITNESS FOR A PARTICULAR PURPOSE. If this product is defective within the warranty period stated above, your exclusive remedy shall be, at TEK Solutions option, to replace or repair the TEK Solutions product or refund the purchase price of the TEK Solutions product. Except where prohibited by law, TEK Solutions will not be liable for any loss or damage arising from this TEK Solutions product, whether direct, indirect, special, incidental or consequential regardless of the legal theory asserted.